

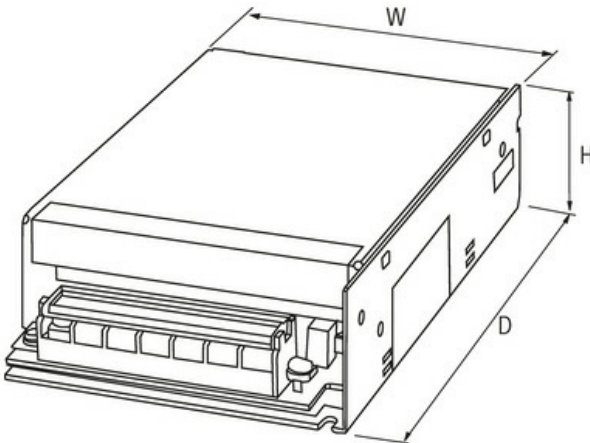
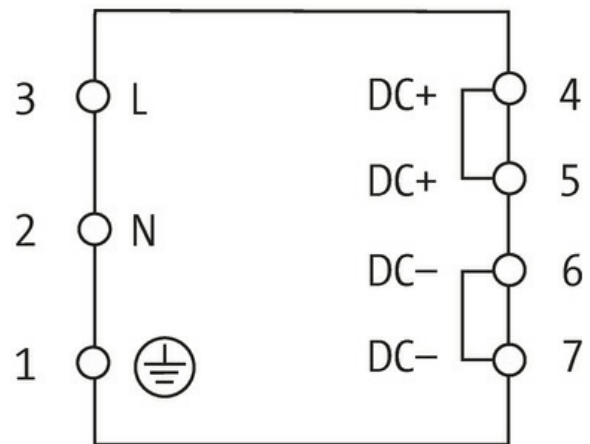
**ECO-POWER POWER SUPPLY 1-PHASE,**

IN: 90-132 VAC/180-264 VAC OUT: 24V/7,5ADC

INPUT: 100...120 V AC/200...240 V AC

OUTPUT: 24 V DC  $\pm 1\%$ 

Current: 7.5 A

[Link to Product](#)**Illustration**

Product may differ from Image

**General data**

Standards	IEC 61010-2-201, EN 61204-3, EN 55011 B
Mounting method	screw fixing, M3
Temperature range	0...+40 °C, ...+50 °C derating (storage temperature -20...+85 °C)
Relative humidity	20...90%, no condensation
Efficiency	85% (115 V AC); 86% (230 V AC)
Dimensions HxWxD	50x100x205 mm

**Output**

Output voltage	24 V DC $\pm 1\%$
LED display	LED (green) for output voltage
Output current	7.5 A (+40 °C); 6 A (+50 °C)
Mains failure bridging time	min. 20 ms (115 V AC); min. 20 ms (230 V AC)

Ripple	max. 50 mV eff/rms
Spikes	max. 100 mV ss/pp
Unit protection	short-circuit and overload protected
Parallel usage/serial usage	no/yes (max. 2 units)

**Input**

Input voltage	100...120 V AC/200...240 V AC
Primary fusing external	max. 16 A
Input current	3.4 A (115 V AC); 1.9 A (230 V AC)
Inrush current after 1 ms	max. 20 A
Frequency	50...60 Hz

**Commercial data**

country of origin	CN
customs tariff number	85044082
EAN	4048879080415
eClass	27049002
Packaging unit	1.000