

PRE-WIRED CAP FOR EXACT8, 6XM8, 3 POLE

15.0m PUR/PVC 6x0,34+2x0,75

for 6-way distribution box, 3-pole

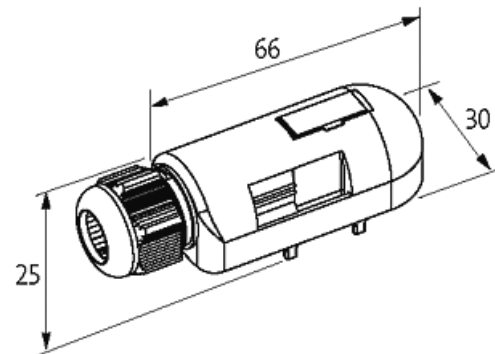
Further cable lengths on request.

Plastic housings with good resistance against chemicals and oils.

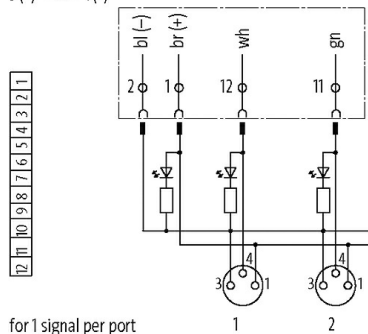
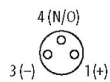
The resistance to aggressive media should be individually tested for your application. Further details on request.

PUR/PVC

15.0 m

[Link to Product](#)**Illustration**

M8-Females 3-pole



for 1 signal per port

Product may differ from Image

**Technical Data**

| | |
|---------------|--------------------------|
| Housing | Plastic, flame retardant |
| Total current | max. 8 A |

General data

| | |
|-------------------|--|
| Temperature range | -20...+80 °C, depending on cable quality |
|-------------------|--|

Cables

| | |
|--------------|-----|
| Cable number | 350 |
|--------------|-----|

| | |
|------------------------------------|--|
| No./diameter of wires | 6 × 0.34 + 2 × 0.75 mm ² |
| Wire isolation | PVC (bl, wh, gn, ye, gr, pk, rd, br) |
| C-track properties | 2 Mio. |
| Jacket Color | gray |
| Material (jacket) | PUR/PVC |
| Outer Ø | 7.8 mm ±5% |
| Bend radius (moving) | 10 × outer Ø |
| Temperature range (fixed) | -30...+80 °C |
| Temperature range (mobile) | -5...+70 °C |
| Shield | no |
| Cable identification | 350 |
| Cable Type | 2 (PUR/PVC) |
| Cable weight [g/m] | 94,60 |
| Material (wire) | Cu wire, bare |
| Diameter (core) | 6 × 0.34 + 2 × 0.75 mm ² |
| Material (wire isolation) | PVC |
| Material property (wire isolation) | CFC-, cadmium-, silicone- and lead-free |
| Shore hardness (wire isolation) | 55 ±5 D |
| Material (jacket) | PUR/PVC |
| Material property (jacket) | CFC-, halogen-, cadmium-, silicone- and lead-free, matt, low-adhesion, machine easy to process, abrasion-resistant, hydrolysis and microbial resistant |
| Shore hardness (jacket) | 85 ±5 A |
| Outer-Ø (jacket) | 7.8 mm ±5% |
| Color (jacket) | gray |
| chemical resistance | good resistance to oil, gasoline and chemicals |
| thermal resistance | flame retardant |
| Nominal voltage | 300/300 V AC |
| Test voltage | 2000 V AC |
| Temperature range (fixed) | -30...+80 °C |
| Temperature range (mobile) | -5...+70 °C |
| Bend radius (fixed) | 5 × outer Ø |
| Bend radius (moving) | 10 × outer Ø |
| No. of bending cycles (C-track) | max. 2 Mio. (25 °C) |
| Traversing distance (C-track) | max. 5 m (horizontal) |
| Travel speed (C-track) | max. 2 m/s |
| Acceleration (C-track) | max. 10 m/s ² |

Commercial data

| | |
|-----------------------|---------------|
| country of origin | CZ |
| customs tariff number | 85444290 |
| EAN | 4048879055079 |
| eClass | 27279219 |
| Packaging unit | 1 |