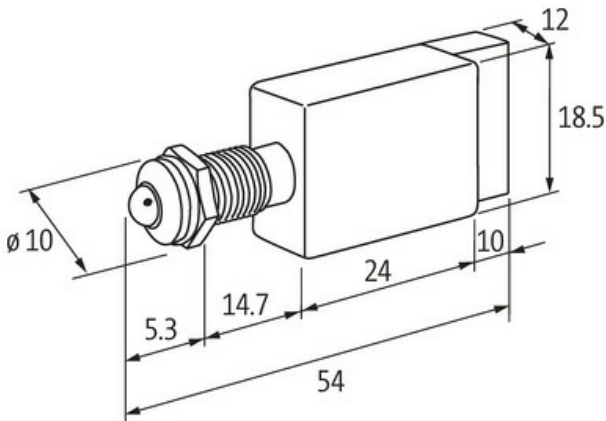
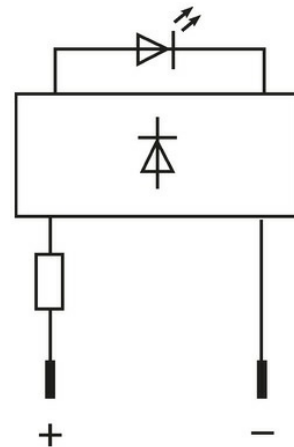


LED-display red 110V AC/DC IP67

Product discontinued, no alternative

(red)
110 V AC/DC
Protection IP67
with touch protection

[Link to Product](#)**Illustration**

Product may differ from Image

Technical Data

Operating voltage	110 V AC/DC (95...121 V AC/DC)
Current consumption	5 ±0.5 mA
Protection (IEC 60529/EN 60529)	IP67

General data

Temperature range	-40...+70 °C
Front panel hole diameter Ø	8 mm
LED Ø	5 mm
Housing	Adapter - PVC, gray
Connection	Faston 2.8x0.8 mm
Dimensions HxWxD	18.5x12x54 mm

Commercial data	
country of origin	DE
customs tariff number	85318070
EAN	4048879040761
eClass	27261590
Packaging unit	10.000