

## Emergency stop with 2 positive opening

contacts in a IP65 enclosure

E-Stop / R-B 42 2NC 1NO L M12(8)

with M12 connection

8-pole

Emergency-Stop button

2 NC (positively-opening)

1 button can be lit (1 NO contact)

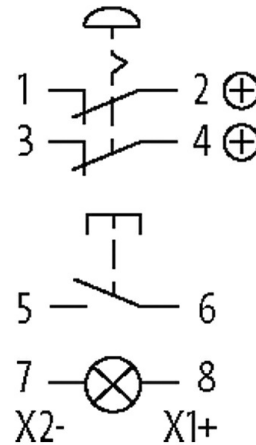
Delivery contents:

Flat lens, transparent clear, red, yellow, green, blue

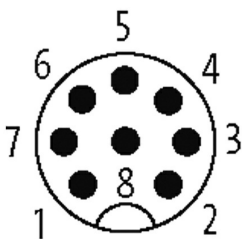
Label plates, O, I, R

### Link to Product

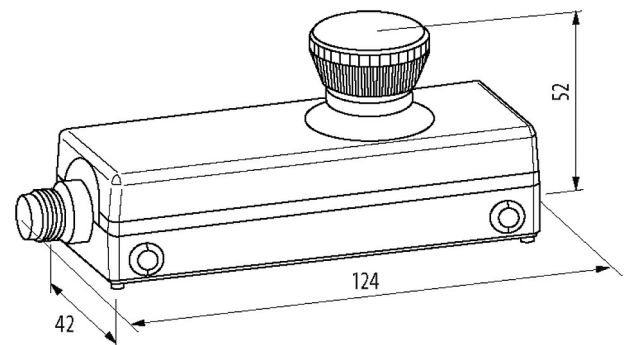
#### Illustration



Male



PIN 1:	N/C 1
PIN 2:	N/C 1
PIN 3:	N/C 2
PIN 4:	N/C 2
PIN 5:	N/O 1
PIN 6:	N/O 1
PIN 7:	(X2/-)
PIN 8:	(X1/+)



Product may differ from Image



#### Technical Data

Operating voltage	1...36 V DC; 30 V DC (UL)
Operating current	1.5 A

The information in this brochure has been compiled with the utmost care.  
Liability for the correctness completeness and topicality of the information is restricted to gross negligence. Version: 03/22

Contact bounce time	max. 10 ms
LED Light	max. 30 V AC/DC typ. 4 mA (24 V DC)

#### General data

Mounting method	with clip on back
Material (contact)	Ag Ni
Temperature range	-25...+70 °C (storage temperature -25...+85 °C)
Lambda (d)	20% (N/C)
B10d	250 000
Mech./ elect. life	50 000 actuations, load-temperature dependent
Protection	IP65
Connection	M12 (8-pole)
Dimensions H×W×D	52×124×42 mm

#### Contact Layout

PIN 1	N/C 1
PIN 2	N/C 1
PIN 3	N/C 2
PIN 4	N/C 2
PIN 5	N/O 1
PIN 6	N/O 1
PIN 7	(X2/-)
PIN 8	(X1/+)

#### Commercial data

country of origin	DE
customs tariff number	85365080
EAN	4048879663359
eClass	27371244
Packaging unit	1.000