

**M12 female recept. D-cod. shielded rear**

PUR 1x4xAWG22 shielded gn UL/CSA 5m

Ethernet CAT5

Flange female

M12, 4-pole

D-coded

shielded

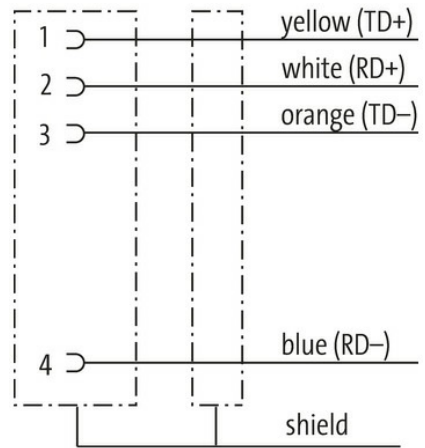
Rear mounting

Further cable lengths on request.

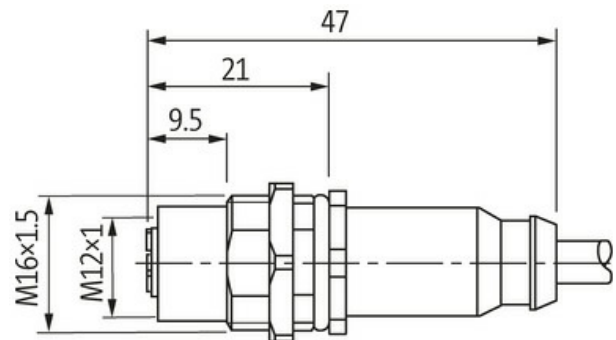
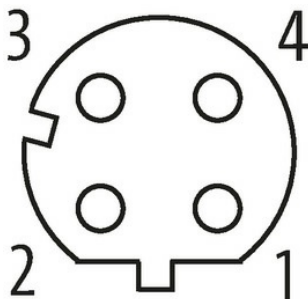
The resistance to aggressive media should be individually tested for your application. Further details on request.

[Link to Product](#)

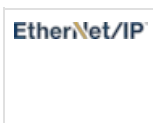
**Illustration**



**Female**



Product may differ from Image



\* only for products with UL/CSA approved cable

**Form**

Form

14511

**Technical Data**

The information in this brochure has been compiled with the utmost care. Liability for the correctness completeness and topicality of the information is restricted to gross negligence. Version: 03/22

|                               |  |
|-------------------------------|--|
| Operating voltage             | max. 60 V DC   |
| Rated surge voltage           | 1.5 kV   |
| Operating current per contact | max. 4 A   |
| Transfer parameters           | CAT5, Class D (ISO/IEC 11801:2002), (EN 50173-1)                 |
| Transfer rate                 | up to 100 Mbit/s full duplex                                     |
| Material group                | IEC 60664-1, category I  |
| Coding                        | D-coded  |
| Locking of ports              | Screw thread (M12×1 mm) recommended torque 0.6 Nm, self-securing |
| Compression gland             | M12 (SW14)   |
| Protection                    | IP67 inserted and tightened (EN 60529)                           |
| Protection NEMA               | 3, 4, 6P (UL 50E)  |
| Locking material              | Brass, nickel plated   |

#### General data

|                   |  |
|-------------------|--|
| Pollution Degree  | 3  |
| Temperature range | -25...+85 °C, depending on cable quality |

#### Cables

|                            |   |
|----------------------------|---|
| Cable identification       | 794   |
| Approval (cable)           | cURus (AWM-Style 20549/10578), CE-conform   |
| Cable weight [g/m]         | 75,87 g   |
| Material (wire)            | Cu wire, bare   |
| Resistor (core)            | max. 55 Ω/km (20 °C)  |
| Construction (core)        | 7× 0.254 mm   |
| Diameter (core)            | 1× 4× AWG22/7   |
| AWG                        | similar to AWG 22   |
| Material (wire isolation)  | PE  |
| Wire-Ø incl. isolation     | 1.55 mm ±5%   |
| Color/numbering of wires   | wh, ye, bl, or  |
| Shield                     | yes   |
| optical shield cover       | min. 85%  |
| Material (jacket)          | PUR   |
| Outer-Ø (jacket)           | 6.7 mm ±5%  |
| Color (jacket)             | green   |
| chemical resistance        | Oil resistance according to IEC 60811-2-1, ASTM IRM 901, ICEA S-82-552 Std.               |
| thermal resistance         | flame-retardant according to UL 1581 section 1090, section 1100 (FT2), IEC 60332-1-2 Std. |
| Nominal voltage            | 300 V   |
| Temperature range (fixed)  | -40...+80 °C  |
| Temperature range (mobile) | -30...+70 °C  |
| Bend radius (fixed)        | 6× outer Ø  |
| Bend radius (moving)       | 12× outer Ø   |

#### Commercial data

|                       |               |
|-----------------------|---------------|
| country of origin     | DE            |
| customs tariff number | 85444290      |
| EAN                   | 4048879472647 |
| eClass                | 27279220      |
| Packaging unit        | 1.000         |