

MVP12, 4XM12, 5POLE, PLUGGABLE CABLE

3.0m PUR/PVC 8x0,34+5x0,75

4-way, 5-pole

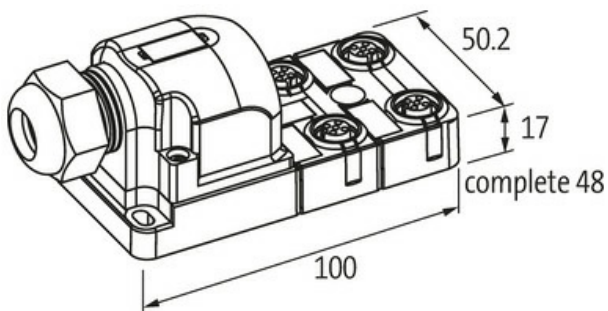
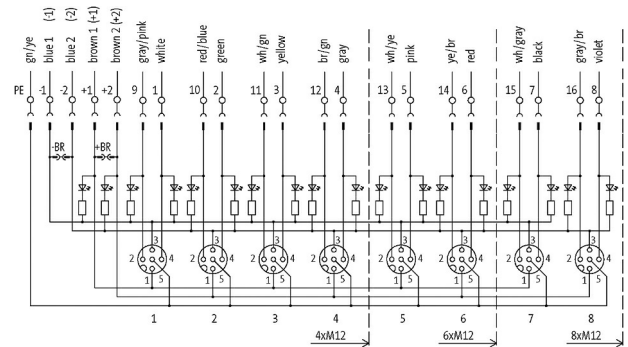
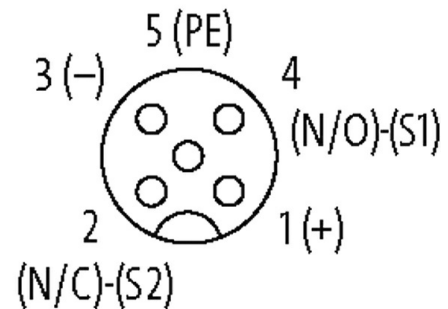
PUR/PVC

3.0 m

potentially separated

with LED for digital PNP-signals 24 V DC

Further cable lengths on request.

Link to Product**Illustration****M12 Females 5-pole**

Product may differ from Image



UL

UL

Technical Data

Operating voltage	24 V DC $\pm 25\%$
Operating current per contact	max. 4 A
Protection	IP65 and IP67 when plugged and screwed down (EN 60529)
Material	PBT
Housing	Plastic, flame retardant
Signal per port	2
Total current	max. 2x 8 A

General data

The information in this brochure has been compiled with the utmost care.

Liability for the correctness completeness and topicality of the information is restricted to gross negligence. Version: 03/22

Temperature range	-20...+80 °C
Dimensions H×W×D	100×50.2×17 mm

Cables

No./diameter of wires	8× 0.34 + 5× 0.75 mm ²
Wire isolation	PVC
C-track properties	1.5 Mio.
Outer Ø	9.2 mm ±5%
Cable number	374
Color (jacket)	gray
Jacket Color	gray
Temperature range (fixed)	-30...+80 °C
Temperature range (mobile)	-30...+80 °C
Bend radius (fixed)	10× outer Ø
Bend radius (moving)	12× outer Ø
Material (jacket)	PUR/PVC

Contact Layout

PIN 1	(+)
PIN 2	(NC)/(S2)
PIN 3	(-)
PIN 4	(NO)/(S1)
PIN 5	(Earth)
LED (green): Power / LED (yellow): (S1/S2)	

Commercial data

country of origin	DE
customs tariff number	85369010
EAN	4048879064316
eClass	27279219
Packaging unit	1.000