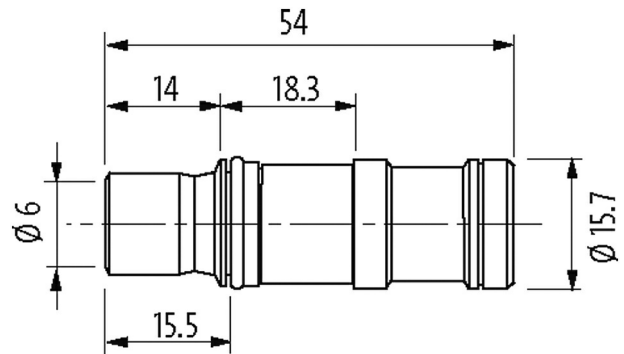


MODL. VARIO insert for coupling housing type B

6/4 no shut-off, nickel plated brass

Insert - mobile housing
 Brass, nickel plated
 without shut-off
 AD6

Link to Product**Illustration**

Product may differ from Image

Form

Form MVT1821-062406042

Technical Data

Protection	IP65, IP66K, IP67, IP68, IP69K inserted and tightened (EN 60529)
Material	Brass, nickel plated
Barrier	without

General data

Temperature range	-20...+120 °C
Pressure range	-0.8...16 bar
Hose outer Ø	6 mm
Gasket	FPM

Commercial data

country of origin	DE
customs tariff number	74198090
EAN	4048879572231
eClass	27260702
Packaging unit	1.000