

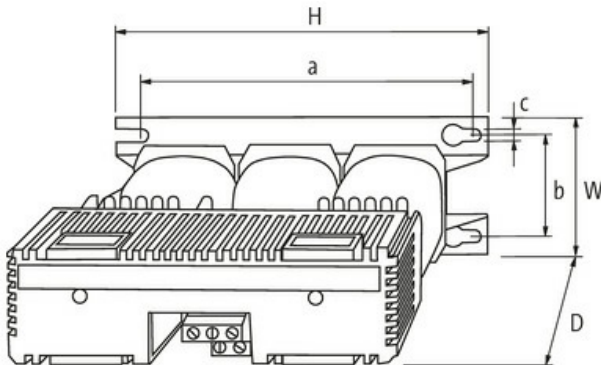
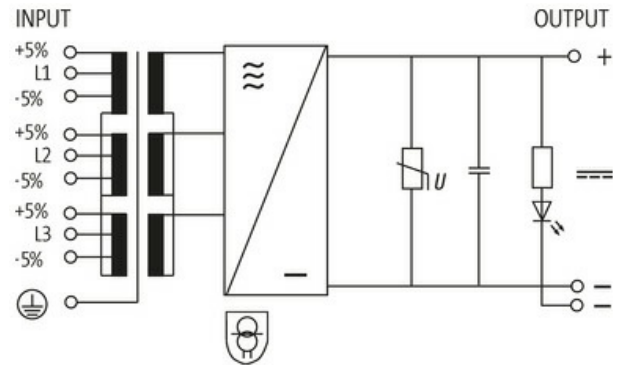
**MPL POWER SUPPLY 3-PHASE, SMOOTHED**

IN: 400VAC+/- 5% OUT: 24V/20ADC

Current: 20 A

Output rating: 480 W

This power supply units meet the (EN 61000-3-2) standard for harmonic current.

[Link to Product](#)**Illustration**

Product may differ from Image

**General data**

Standards	EN 61558-2-6, EN 62041 category I, EN 55011 B, EN 61000-3-2
Mounting method	Key-hole mounting
Temperature range	-20...+55 °C, for any mounting position at vertical wall, no condensation
Fixing centers a×b×c	195×81×8.5 mm
Efficiency	78%
Dimensions H×W×D	220×103×213 mm

**Output**

Output voltage	24 V DC (SELV)
Output fuse external	20 A (T)
Output suppression	LED, VDR and smoothing capacitor

Output current	max. 20 A
Ripple	max. 2% eff/rms

**Input**

Input voltage	3× 400 V AC ±5%
Input fuse (external)	1.6 A (T)
Input current	1.1 A (400 V AC)
Frequency	50...60 Hz

**Commercial data**

country of origin	CZ
customs tariff number	85044090
EAN	4048879079228
eClass	27049002
Packaging unit	1.000