

## EUROCARD HOLDER

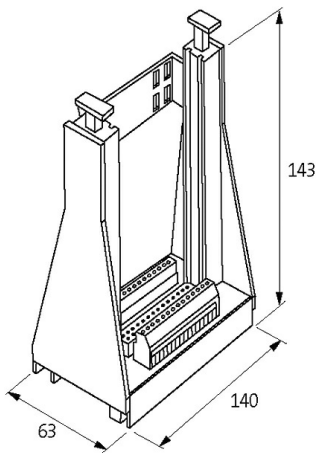
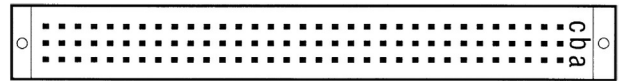
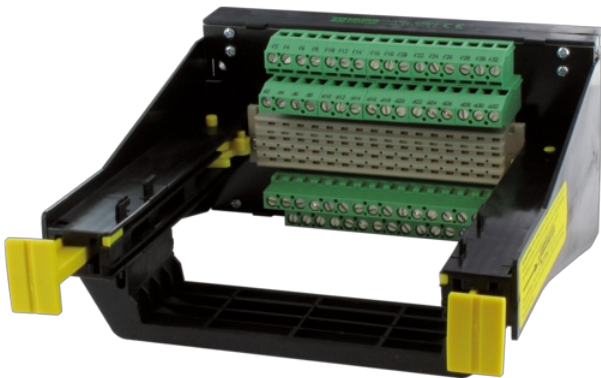
SKP 64/2-C(a+c)-FK

Spring clamp terminals  
64-pole C (EN 60603)  
Row a, c  
250 V AC

With the vertical snap adapter SASA 135 Art.-No. 63900 the holder can be mounted at right-angles on the rail.  
The D2 size is for a card without a front plate.

### Link to Product

#### Illustration



Product may differ from Image

#### Technical Data

|                   |                                     |
|-------------------|-------------------------------------|
| Operating voltage | 250 V AC                            |
| Operating current | max. 2 A                            |
| Material group    | EN 60664-1 over voltage, category I |
| Material          | Plastic, flame retardant            |
| Configuration     | 64-pole C (EN 60603)                |

#### General data

|                  |   |
|------------------|---|
| Mounting method  | DIN-rail mountable (EN 60715) or screw fixing |
| Connection       | 4 mm <sup>2</sup> single core                 |
| Dimensions H×W×D | 63×137×170 mm                                 |

#### Description

The information in this brochure has been compiled with the utmost care.  
Liability for the correctness completeness and topicality of the information is restricted to gross negligence. Version: 03/22

Functional description To insert the card first press down the 2 yellow buttons. Then slide the Eurocard into the guide slots pushing until fully engaged. The card is now locked into position. It can be removed by pressing down on the 2 yellow buttons.

**Commercial data**

|                       |               |
|-----------------------|---------------|
| country of origin     | CZ            |
| customs tariff number | 85366990      |
| EAN                   | 4048879038652 |
| eClass                | 27260710      |
| Packaging unit        | 1.000         |