

**M8 male 90° / M8 female 90° A-cod. shielded**

PUR 3x0.34 shielded gy UL/CSA+drag ch. 0.3m

Male 90° – female 90°

M8 – M8, 3-pole

shielded

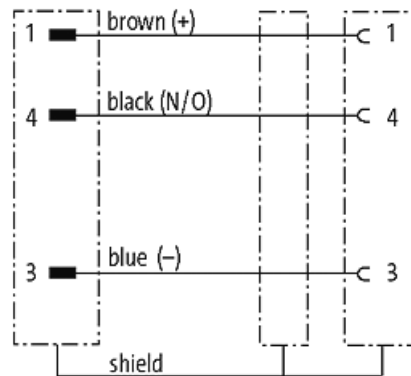
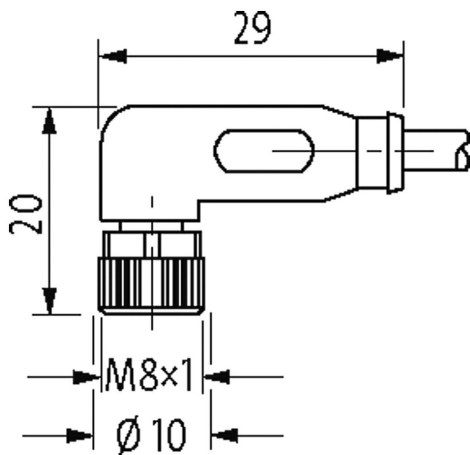
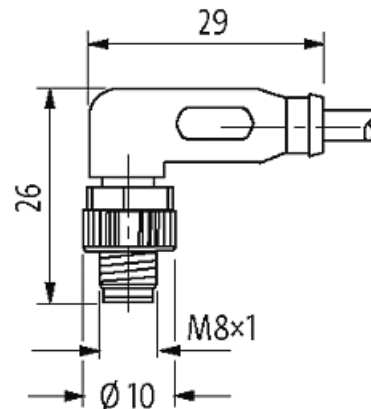
Plastic housings with good resistance against chemicals and oils.

The resistance to aggressive media should be individually tested for your application. Further details on request.

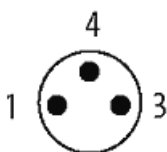
Further cable lengths on request.

**Link to Product**

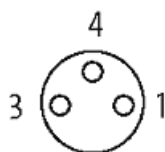
**Illustration**



Male



Female



Product may differ from Image



| Form                               |  |
|------------------------------------|--|
| Form                               | 89571  |
| Technical Data                     |  |
| Operating voltage                  | max. 50 V AC/60 V DC   |
| Operating current per contact      | max. 4 A   |
| Locking of ports                   | Screw thread (M8×1 mm) recommended torque 0.4 Nm, self-securing  |
| Protection                         | IP66K, IP67 inserted and tightened (EN 60529)  |
| Rated surge voltage                | 1.5 kV   |
| General data                       |  |
| Temperature range                  | -25...+85 °C, depending on cable quality   |
| Cables                             |  |
| No./diameter of wires              | 3× 0.34 mm <sup>2</sup>  |
| Wire isolation                     | PP (br, bl, bk)  |
| C-track properties                 | 5 Mio.   |
| Material (jacket)                  | PUR (UL/CSA)   |
| Outer Ø                            | 5.0 ±5%  |
| Bend radius (moving)               | 10× outer Ø  |
| Temperature range (fixed)          | -40...+80 °C   |
| Temperature range (mobile)         | -25...+80 °C   |
| Cable identification               | 240  |
| Cable Type                         | 3 (PUR)  |
| Approval (cable)                   | cURus (AWM-Style 20549/10493); CE conform  |
| Cable weight [g/m]                 | 44,00  |
| Material (wire)                    | Cu wire, bare  |
| Resistor (core)                    | max. 57 Ω/km (20 °C)   |
| Single wire Ø (core)               | 0.1 mm   |
| Construction (core)                | 42× 0.1 mm (multi-strand wire class 6)   |
| Diameter (core)                    | 3× 0.34 mm <sup>2</sup>  |
| AWG                                | similar to AWG 22  |
| Material (wire isolation)          | PP   |
| Material property (wire isolation) | CFC-, halogen-, cadmium-, silicone- and lead-free  |
| Shore hardness (wire isolation)    | 70 ±5 D  |
| Wire-Ø incl. isolation             | 1.25 mm ±5%  |
| Color/numbering of wires           | br, bk, bl   |
| Stranding combination              | 3 wires twisted  |
| Shield                             | yes  |
| optical shield cover               | min. 80%   |
| Material (jacket)                  | PUR  |
| Material property (jacket)         | CFC-, halogen-, cadmium-, silicone- and lead-free, matt, low-adhesion, machine easy to process, abrasion-resistant, hydrolysis and microbial resistant |
| Shore hardness (jacket)            | 90 ±5 A  |
| Outer-Ø (jacket)                   | 5.0 mm ±5%   |
| Color (jacket)                     | gray   |
| chemical resistance                | good resistance to oil, gasoline and chemicals (EN 60811-404)  |
| thermal resistance                 | flame retardand UL 1581 Section 1090 (H), CSA FT2 / IEC 60332-2-2  |
| Nominal voltage                    | 300 V AC   |
| Test voltage                       | 2000 V AC  |
| Current load capacity              | to DIN VDE 0298-4  |

|                                 |   |
|---------------------------------|---|
| Temperature range (fixed)       | -40...+80 °C, (+90 °C at max. 10 000 operating hours) |
| Temperature range (mobile)      | -25...+80 °C, (+90 °C at max. 10 000 operating hours) |
| Bend radius (fixed)             | 5× outer Ø  |
| Bend radius (moving)            | 10× outer Ø   |
| No. of bending cycles (C-track) | max. 5 Mio. (25 °C)                                   |
| Traversing distance (C-track)   | max. 5 m (horizontal)                                 |
| Travel speed (C-track)          | max. 3.3 m/s  |
| Acceleration (C-track)          | max. 5 m/s <sup>2</sup>                               |
| Torsion stress                  | ±30°/m  |
| No. of torsion cycles           | max. 2 Mio. (25 °C)                                   |
| Torsion speed                   | 35 cycles/min   |
| Jacket Color                    | gray  |

**Commercial data**

|                       |               |
|-----------------------|---------------|
| country of origin     | DE            |
| customs tariff number | 85444290      |
| EAN                   | 4048879388238 |
| eClass                | 27279218      |
| Packaging unit        | 1             |