

MVP12-Metal 8xM12 DI8 DO8 IOL K3,

galvanic separation, IO-Link Version 1.1

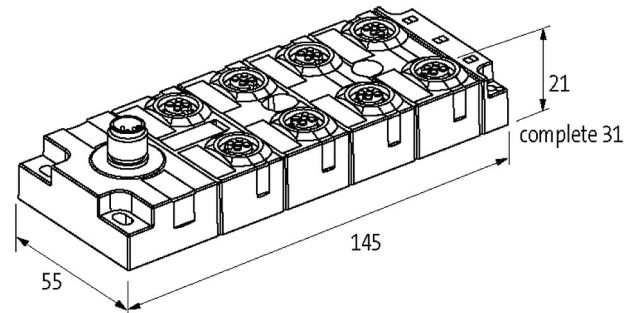
IO-Link Hub

Compact module

IO-Link V1.1

Connection cables are in the online shop under "Connection Technology".

Housing fully potted.

Link to Product**Illustration**

Product may differ from Image

**General data**

Mounting method	4 hole screw mounting
Temperature range	-25...+70 °C (storage temperature -40...+70 °C)
Protection	IP67
Dimensions H×W×D	145×55×32 mm

Output

Switching current per output	max. 0.4 A (short-circuit and overload protected)
------------------------------	---

Input

Type	PNP (EN 61131-2) Type 3
Input filter	1 ms

IO-Link

Specification	IO-Link V1.1
Port Class	B
IO-Link	Device
Operating modes	COM2 (38.4 kbps)
Cycle time	2.3 ms

Parameterization

PIN 4	Input (port 0...3); Output (port 4...7)
PIN 2	Input (port 0...3); Output (port 4...7)

Diagnostic

Communication status	via LED
Diagnostic via LED	per module and channel
Actuator warning	per channel via LED and BUS
Monitoring - under voltage	yes

Monitoring - no voltage	yes
Short-circuit and overload	yes, single channel shutoff

Commercial data

country of origin	DE
customs tariff number	85176200
EAN	4048879619189
eClass	27242604
Packaging unit	1.000