

MOSA M12 female 90° 3LED field-wireable (IDC)4-pole 0.25...0.5mm²

Female 90°

M12, 4-pole

IDC terminals

Connection cross section: 0.25...0.5 mm²

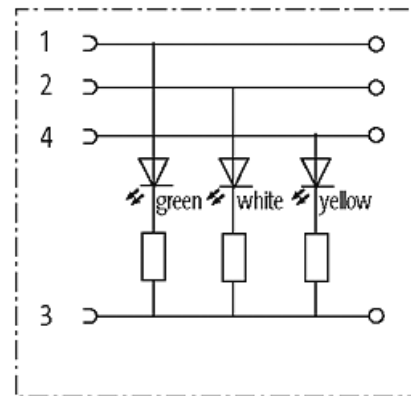
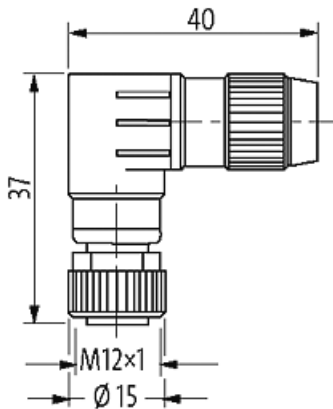
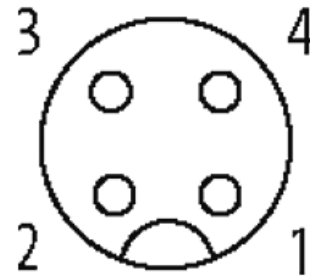
LED

green, yellow, white

The resistance to aggressive media should be individually tested for your application. Further details on request.

[Link to Product](#)**Illustration**

Female



Product may differ from Image

Technical Data

Operating voltage	24 V DC ±25%
Rated surge voltage	0.8 kV
Operating current per contact	max. 4 A
No. of poles	4
Material group	IEC 60664-1, category III
Coding	A-coded
LED display	yes
Connection cross section	0.25...0.5 mm ² (conductor diameter min. 0.1 mm)
Sealing range (cable Ø)	4...5.1 mm
Wire isolation	PVC, PP, TPE

Outer wire Ø	1.2...1.6 mm
Reconnection (cable)	10
Locking of ports	Screw thread (M12×1 mm) recommended torque 0.6 Nm, self-securing
Compression gland	pluggable, screw locking / M12 (A/F13) / zinc-pressure die casting, surface Ni
Protection	IP67 mounted and tightened

General data

Standards	DIN EN 61076-2-101 (M12)
Material (contact)	Copper alloy
Material (contact surface)	Au
Material (gasket)	FKM
Pollution Degree	3
Temperature range	-25...+85 °C

Commercial data

country of origin	DE
customs tariff number	85366990
EAN	4048879848695
eClass	27279221
Packaging unit	10