

**M8 male 0° A-cod. / RJ45 male 0° shielded**

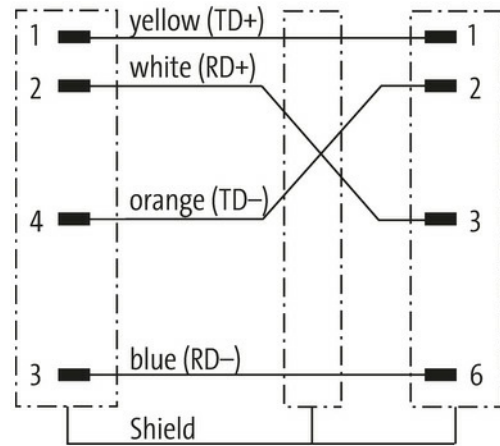
PUR 1x4xAWG26 shielded gn UL/CSA+drag ch. 20m

Ethernet CAT5  
 Male straight – male straight  
 M8, 4-pole – RJ45, 8/4-pole  
 shielded

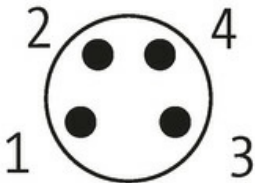
Further cable lengths on request.  
 Plastic housings with good resistance against chemicals and oils.  
 The resistance to aggressive media should be individually tested for your application. Further details on request.

[Link to Product](#)

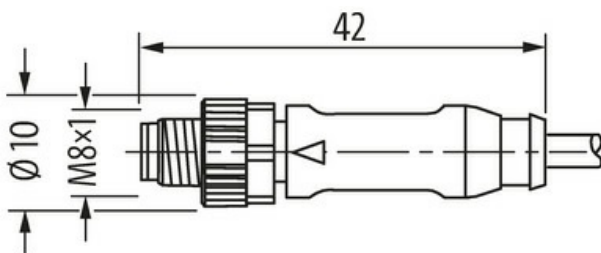
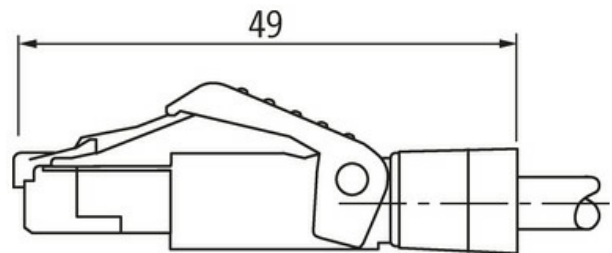
Illustration



Male



Male



Product may differ from Image



\* only for products with UL/CSA approved cable

| Form                                      |   |
|---|---|
| Form                                      | 89721   |
| Technical Data                            |   |
| Operating voltage                         | max. 60 V DC  |
| Operating voltage (only UL listed)        | max. 30 V DC  |
| Rated surge voltage                       | 1.0 kV  |
| Operating current per contact             | max. 1.5 A (20 °C)  |
| Transfer parameters                       | CAT5, Class D (ISO/IEC 11801:2002), (EN 50173-1)                            |
| Material group                            | IEC 60664-1, category I   |
| Locking of ports                          | Screw thread (M8×1 mm) recommended torque 0.4 Nm, self-securing             |
| Compression gland                         | M8 (SW9)  |
| Protection                                | IP67 (M8) - IP20 (RJ45)   |
| Material                                  | PUR   |
| Locking material                          | Zinc die casting, matte nickel plated                                       |
| suitable for corrugated tube (internal Ø) | 6.5 mm  |
| General data                              |   |
| Standards                                 | DIN EN 61076-2-104 (M8)   |
| Pollution Degree                          | 3   |
| Temperature range                         | -25...+85 °C, depending on cable quality                                    |
| Cables                                    |   |
| Cable identification                      | 791   |
| Approval (cable)                          | cURus (AWM-Style 20549/10493); CE conform                                   |
| Cable weight [g/m]                        | 59,4 g  |
| Material (wire)                           | Cu wire, bare   |
| Resistor (core)                           | max. 139.3 Ω/km (20 °C)   |
| Single wire Ø (core)                      | 0.15 mm   |
| Construction (core)                       | 19× 0.15 mm (multi-strand wire class 5)                                     |
| Diameter (core)                           | 1 × 4 × AWG26   |
| AWG                                       | similar to AWG 26   |
| Material (wire isolation)                 | PO  |
| Wire-Ø incl. isolation                    | 1.0 mm ±5%  |
| Color/numbering of wires                  | wh, or, bl, ye  |
| Stranding combination                     | 4 wires twisted   |
| Shield                                    | yes   |
| optical shield cover                      | min. 85%  |
| Material (jacket)                         | PUR   |
| Material property (jacket)                | CFC-, halogen-, cadmium-, silicone- and lead-free                           |
| Outer-Ø (jacket)                          | 4.9 mm ±5%  |
| Color (jacket)                            | green   |
| chemical resistance                       | Oil resistance according to IEC 60811-2-1, ASTM IRM 901, ICEA S-82-552 Std. |
| thermal resistance                        | flame retardant   |
| Temperature range (fixed)                 | -40...+80 °C  |
| Temperature range (mobile)                | -30...+70 °C  |
| Bend radius (fixed)                       | 7.5× outer Ø  |
| Bend radius (moving)                      | 12× outer Ø   |
| No. of bending cycles (C-track)           | max. 5 Mio. (25 °C)   |
| Travel speed (C-track)                    | max. 3 m/s  |
| Acceleration (C-track)                    | max. 5 m/s <sup>2</sup>   |

The information in this brochure has been compiled with the utmost care.

Liability for the correctness completeness and topicality of the information is restricted to gross negligence. Version: 03/22

**Commercial data**

|                       |               |
|-----------------------|---------------|
| country of origin     | DE            |
| customs tariff number | 85444290      |
| EAN                   | 4048879424547 |
| eClass                | 27061801      |
| Packaging unit        | 1.000         |