

## MOTOR SUPPRESSOR

RC, 3x400VAC/4kW

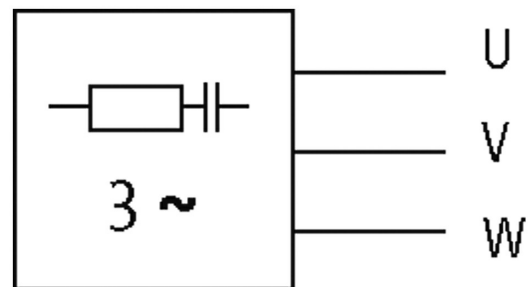
3× 400 V AC

RC

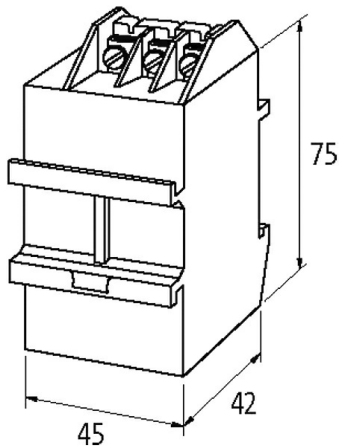
Suppressors for other voltages, frequencies, and motor ratings available on request. Do not use RC motor suppressors with frequency inverters.

### [Link to Product](#)

#### Illustration



RC



Product may differ from Image

#### Technical Data

Frequency	50...60 Hz
Input voltage	400...400 V AC
Material	Flame retardant plastic acc. to (UL 94)
Potting compound	2-component epoxy

#### General data

Temperature range	-20...+60 °C
Connection	3-pole terminal, 2× 0.75...2.5 mm <sup>2</sup> , M4
Dimensions H×W×D	75×45×42 mm

#### Commercial data

country of origin	CZ
customs tariff number	85363010
EAN	4048879019620
eClass	27371013
Packaging unit	1.000