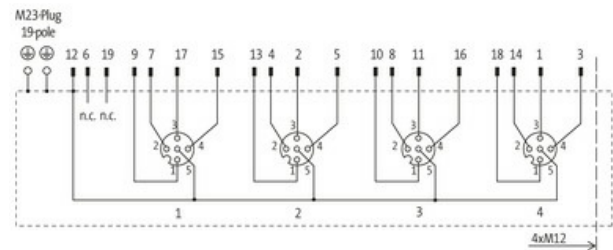
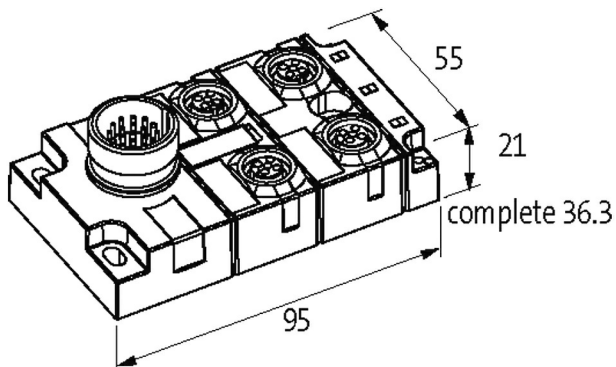


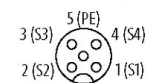
MVP-METALL, 4XM12, 5POLE, M23 19POL. CON.

Connector exit frontside

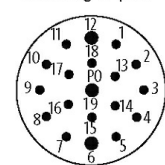
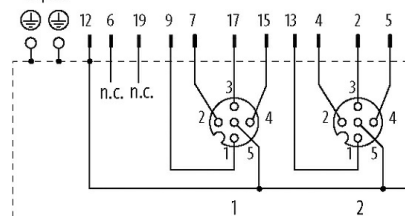
4-way UNIVERSAL, shielded
M23 plug connection, 19-pole
without LED for analog signals up to 125 V AC/DC
Replaces identical product (Art.No. 27533)
M12 contacts 1, 2, 3, 4 single wired; common PE

Link to Product**Illustration**

M12-Females 5-pole



M23-Plug 19-pole

M23-Plug
19-pole

for 4 signals per port

Product may differ from Image

**Technical Data**

Operating voltage	max. 125 V AC/DC
Operating current per contact	max. 4 A
Locking of ports	Screw thread (M12×1 mm)
Protection	IP65, IP67, IP68
Housing	Zinc die casting, matte nickel plated
Total current	max. 7.5 A

General data

Temperature range	-25...+90 °C
-------------------	--------------

Contact Layout

PIN 1	(S1)
PIN 2	(S2)
PIN 3	(S3)
PIN 4	(S4)
PIN 5	(S5)/(Earth)

Commercial data

country of origin	CZ
customs tariff number	85369010
EAN	4048879352871
eClass	27279219
Packaging unit	1.000