

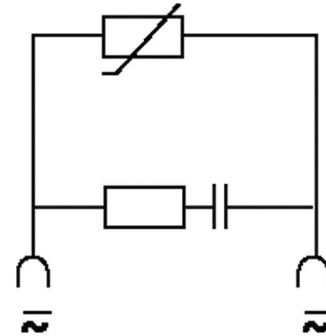
SUPPRESSOR FOR SIEMENS CONTACTOR

VDR+RC, 24...48 VAC/DC, 20 VA/W

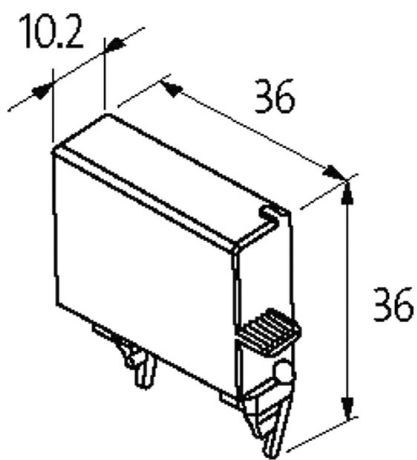
24 V AC/DC
RC + Varistor

[Link to Product](#)

Illustration



VDR-RC



Product may differ from Image



Technical Data

Input voltage	24...70 V AC/DC
Material	Flame retardant plastic acc. to (UL 94)
Damping factor	approx. 1.5× UN
Connection wires	Plug contact

General data

Temperature range	-20...+70 °C
Dimensions H×W×D	36×10.2×36 mm

Appropriate contactors

The information in this brochure has been compiled with the utmost care. Liability for the correctness completeness and topicality of the information is restricted to gross negligence. Version: 03/22

3 RT 1.3/1.4

Commercial data

country of origin	CZ
customs tariff number	85363010
EAN	4048879019934
eClass	27371013
Packaging unit	1.000