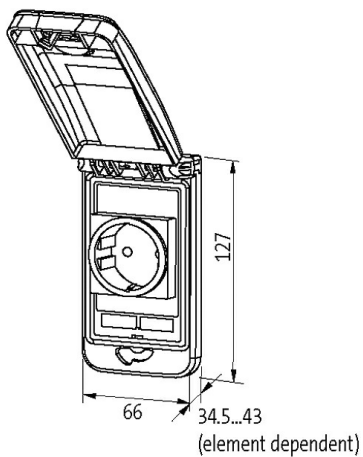
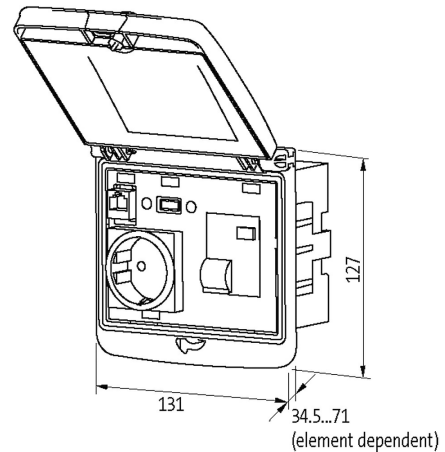


MODLINK MSDD FRAME SINGLE METALIC

with customized printing

Customized printing
 Frame: plastic PA black
 Lid: plastic, ABS gray
 Closure: 3 mm double bit
 with attachable rotation knob

[Link to Product](#)**Illustration**

Product may differ from Image

**Frame**

suitable for mounting with wall thickness	1...5 mm
Protection	IP65
Temperature range	-30...+70 °C (storage temperature -30...+80 °C)
Housing	Frame: plastic PA black, cap: plastic ABS metallic

General data

The information in this brochure has been compiled with the utmost care.
 Liability for the correctness completeness and topicality of the information is restricted to gross negligence. Version: 03/22

Dimensions H×W×D 127×66×43 mm

Commercial data

country of origin	DE
customs tariff number	85389099
EAN	4048879689434
eClass	27189217
Packaging unit	1.000