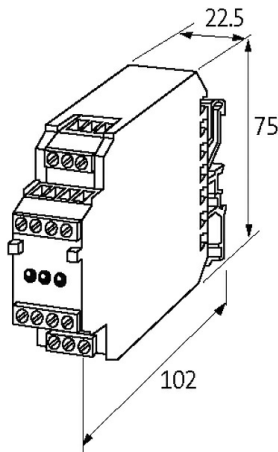
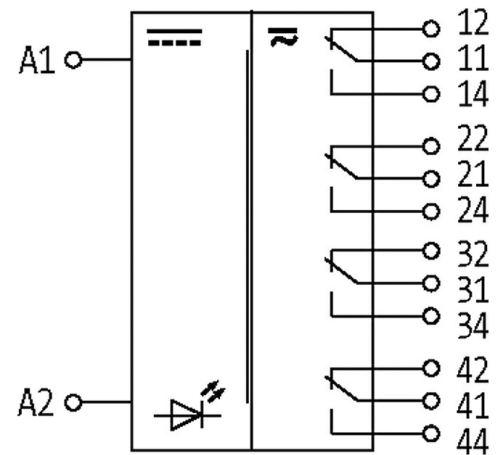


**RM 14/24VDC INPUT RELAY**

IN: 24 VDC - OUT: 250 VAC/DC / 2 A

1 relay; 4 NO/NC contacts  
2 A  
24 V DC  
Screw terminals

[Link to Product](#)**Illustration**

Product may differ from Image

**General data**

Mounting method	DIN-rail mountable TH35 or G32 (EN 60715)
Temperature range	-20...+50 °C
Test isolation voltage	1.5 kV
Mech./ elect. life	100 000 000 switching cycles/load dependent
Dimensions HxWxD	75x22.5x102 mm

**Output**

Min. load current	0.1 mA
Contact material	Ag Au
Energize/release/contact bounce time	10/10/1 ms
Switching voltage	max. 250 V AC/DC

Switching frequency	max. 0.1 Hz (with load)
---------------------	-------------------------

Power rating (voltage dependent)	max. 125 VA/60 W
----------------------------------	------------------

Switching current per output	max. 2 A
------------------------------	----------

**Input**

Connection voltage - current	24 V AC/DC (19.2...30 V AC/DC) - 30 mA
------------------------------	--

LED display	LED (yellow)
-------------	--------------

**Utilization category**

AC-15	1 A (24 V AC); 0.1 A (230 V AC)
-------	---------------------------------

AC-12	2 A (24 V AC); 0.5 A (230 V AC)
-------	---------------------------------

DC-13	0.8 A (24 V DC); 0.01 A (230 V DC)
-------	------------------------------------

**Commercial data**

country of origin	CZ
-------------------	----

customs tariff number	85364900
-----------------------	----------

EAN	4048879024877
-----	---------------

eClass	27371601
--------	----------

Packaging unit	1.000
----------------	-------