

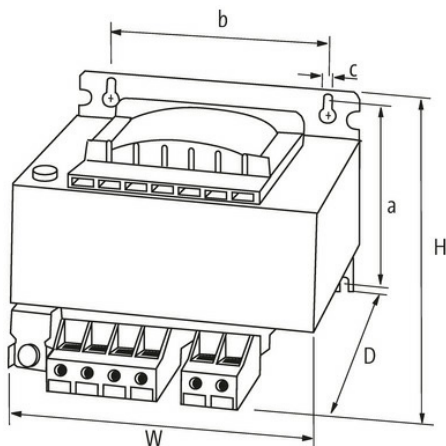
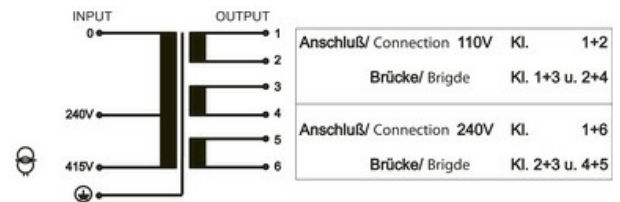
## MET 1-PHASE CONTROL AND ISOLATION TRANSFORMER

P: 1000VA IN: 240-415VAC OUT: 110-110-20VAC

Single-phase - Control and Isolation Transformers  
1000 VA  
Spring clamp terminals  
Isolation class T 60/B

### [Link to Product](#)

#### Illustration



Product may differ from Image



#### General data

Standards	EN 61558-1, EN 61558-2-4, EN 62041 category 0
Mounting method	Key-hole mounting
Temperature range	-20...+60 °C (storage temperature -40...+80 °C)
Test isolation voltage	4 kV (prim./sec.)
Drill hole Ø	7×11 mm
Fixing centers a×b×c	111.5×135×7 mm

Dimensions H×W×D 138×174×160 mm

**Output**

Output voltage 110/240 V AC

Output rating 1000 VA

**Input**

Input voltage 240/415 V AC

Inrush current 110 A (240 V AC); 62.5 A (415 V AC)

Short-circuit current 138 A (240 V AC); 79.4 A (415 V AC)

Input current 4.64 A (240 V AC); 2.68 A (415 V AC)

Frequency 50...60 Hz

**Commercial data**

country of origin CZ

customs tariff number 85043180

EAN 4048879066358

eClass 27031302

Packaging unit 1.000