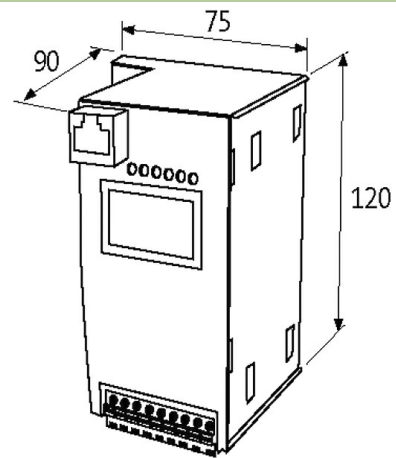


Product discontinued until 31.10.2018, replaced by: 56471

Gateway Profibus-DP/AS-i, 1 Master, Spec. 3.0, IP20

Gateway-Singlemaster
via pluggable spring clamp plug-in terminals on the front 0.5...1.5 mm²
AS-Interface/PROFIBUS DP
Specification 3.0
Current manuals, GSD/type data can be downloaded at: www.murrelektronik.com
Other gateways on request.

Link to Product**Illustration**

Product may differ from Image

**General data**

Standards	EN 50295, EN 61000-6-2, EN 61000-6-4
Mounting method	DIN-rail mountable (EN 60715)
Temperature range	0...+55 °C (storage temperature -25...+85 °C)
Test isolation voltage	min. 500 V
Protection	IP20
Dimensions H×W×D	120×85×83 mm

PROFIBUS

Addressing via buttons on the gateway or PROFIBUS DP addresses 1...126 adjustable (default 3)

Fieldbus

Buttons	4 (mode/set/OK/ESC)
Transfer rate	9.6...12 000 kbps, automatic detection

AS-Interface

Operating current	max. 200 mA (AS-Interface)
Serial interface/diagnostic	RJ45/Ethernet
Cycle time	150 μs × (number of slaves + 2)
Bus connection	via pluggable spring clamp plug-in terminals on the front 0.5...1.5 mm ²
No. of slaves	max. 62
Specification	3.0
Operating voltage	30 V DC

The information in this brochure has been compiled with the utmost care.
Liability for the correctness completeness and topicality of the information is restricted to gross negligence. Version: 03/22

Connections

Fieldbus	SUB-D9
----------	--------

Commercial data

country of origin	DE
customs tariff number	85176200
EAN	4048879495684
eClass	27242208
Packaging unit	1.000