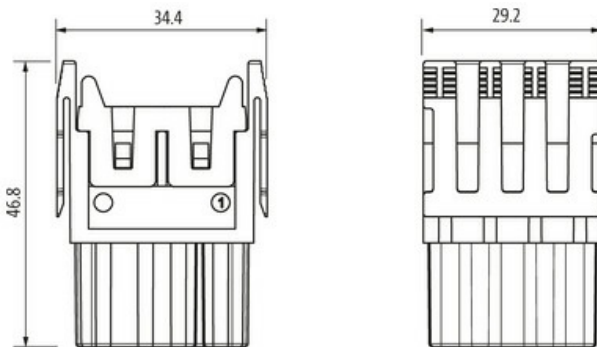
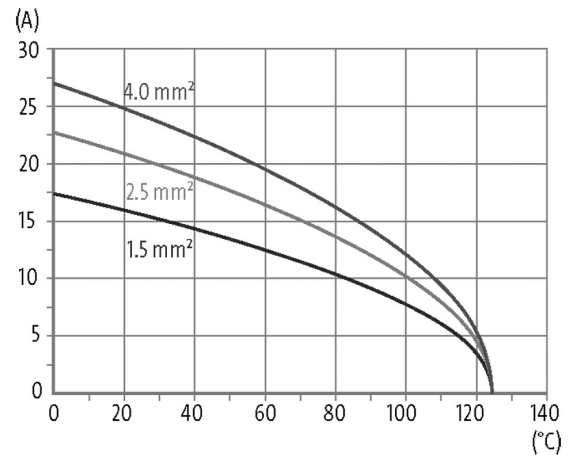


Female module, 20-pole, crimp t.

500 V, 16 A

Female
20-pole
Crimp

Technical data will be only guaranteed with Murrelektronik components.

[Link to Product](#)**Illustration**

Product may differ from Image

Technical Data

Operating voltage	500 V AC/DC
Rated surge voltage	6.0 kV
Operating current	16 A
Material group	I
Mating cycles	min. 500
Connection	Crimp
Connection cross section	0.5...4 mm ² (AWG 20...11)
Holding force (contacts)	≥ 130 N
Insertion and withdrawal force	< 500 N
Isolation resistance	≥ 10 ⁸ Ω
Contact resistance	≤ 5 mΩ
Over voltage category	III
Wire-Ø incl. isolation	max. 4.6 mm
Holding force (modules)	≥ 550 N

The information in this brochure has been compiled with the utmost care. Liability for the correctness completeness and topicality of the information is restricted to gross negligence. Version: 03/22

General data

Material (contact)	Brass
Material (contact surface)	Ag Au
Pollution Degree	3
Temperature range	-40...+125 °C
No. of module positions	2
Flammability class	V-0 (acc. to UL 94)
Type	Female
Climatic category	40/125/10
Material (module)	PA GF
Dimensions H×W×D	46.8×29.2×34.4 mm

Cables

Current load capacity	see derating curve
-----------------------	--------------------

Commercial data

country of origin	CZ
customs tariff number	85389099
EAN	4048879641678
eClass	27143424
Packaging unit	5.000