

MVK-ME DIO14 DIO2/IOL2 4P

MVK EthernetIP compact module, metal housing,

Digital inputs/outputs

DIO14 DIO2 IOL2

Ethernet 10/100 Mbit/s; M12, D-coded

7/8", 4-pole, 2× max. 9 A

M12, 5-pole, A-coded

DLR (Device Level Ring)

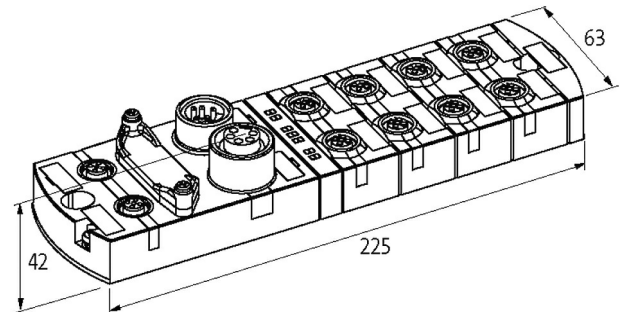
IO-Link Master V1.1.2

Connection cables are in the online shop under "Connection Technology".

Housing fully potted.

Link to Product

Illustration



Product may differ from Image



General data

| | |
|-------------------|---|
| Mounting method | 2-hole screw mounting |
| Temperature range | -25...+55 °C (storage temperature -40...+85 °C) |
| Protection | IP67 |
| Dimensions H×W×D | 42×63×225 mm |

Output

| | |
|------------------------------|---|
| Lamp load | 10 W |
| Actuator supply UA | 24 V DC (EN 61131-2), max. 9 A |
| Switching current per output | max. 1.6 A (short-circuit and overload protected) |

Input

| | |
|------------------|--|
| Sensor supply US | 24 V DC (EN 61131-2), max. 200 mA (M12 female), short-circuit and overload protected |
| Type | for 3-wire sensors or mechanical switches, PNP, IO-Link Devices |

IO-Link

| | |
|---------------------|---|
| Specification | IO-Link Master V1.1.2 |
| Port Class | Class B (not galvanically separated) |
| IO-Link | 2× Master |
| Transfer parameters | 32 Byte (In) 32 Byte (Out) per IO-Link port |
| Operating modes | COM1; COM2; COM3 (automatic) |

Parameterization

| | |
|-------|---|
| PIN 4 | Input/Output (port X0...X7); IO-Link Master (port X6, X7) |
| PIN 2 | Input/Output (port X0...X7); U-Actuator IO-Link Class B (port X6, X7) |

The information in this brochure has been compiled with the utmost care.

Liability for the correctness completeness and topicality of the information is restricted to gross negligence. Version: 03/22

Murrelektronik Ltd. | 5 Albion Street, Pendlebury Industrial Estate, Swinton | Manchester M27 4FG | Fon +44 161 728 3133 | Fax +44 161 728 3130 | shop@murrelektronik.co.uk | shop.murrelektronik.co.uk

Connections

| | |
|-------------------------------|--------------------------------------|
| Fieldbus | Ethernet 10/100 Mbit/s; M12, D-coded |
| Sensor-system/actuator supply | 7/8", 4-pole, 2× max. 9 A |
| I/O ports | M12, 5-pole, A-coded |

EtherNet/IP

| | |
|-------------------------|---|
| Multiple connections | yes |
| QC (Quick Connect) | max. 360 ms |
| CIP Sync | yes |
| Composite Test Revision | CT14 |
| Addressing | DHCP, BOOTP or IP address by DIP switch |
| DLR (Device Level Ring) | yes |

Diagnostic

| | |
|----------------------------|-----------------------------|
| Communication status | via LED |
| Diagnostic via LED | per module and channel |
| Diagnostic via BUS | per module and channel |
| Actuator warning | per channel via LED and BUS |
| Monitoring - under voltage | yes |
| Monitoring - no voltage | yes |
| Short-circuit and overload | yes |
| Cable break | per IO-Link Master |

Commercial data

| | |
|-----------------------|---------------|
| country of origin | DE |
| customs tariff number | 85389099 |
| EAN | 4048879699921 |
| eClass | 27242604 |
| Packaging unit | 1.000 |