

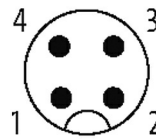
**IO-Link / analog converter**

AO Multi U / I, M12, straight

IOL AO-U/I-STR-MULT-PAR

IO-Link V1.1

Connection cables are in the online shop under "Connection Technology".

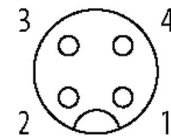
**Link to Product****Illustration****Male**

PIN 1: +24 V (L+)

PIN 2: n.c.

PIN 3: GND

PIN 4: C/Q, IO-Link

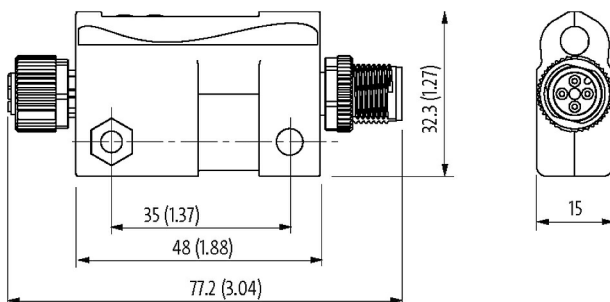
**Female**

PIN 1: +Us

PIN 2: n.c.

PIN 3: GND (Analog Us)

PIN 4: AOUT (U/I)



Product may differ from Image

**General data**

Temperature range	-30...+70 °C (storage temperature -40...+85 °C)
Material (housing)	Plastic
Labeling	Laser labelled
Protection	IP65/IP67
Dimensions HxWxD	32.3x77.2x15 mm

**Module supply**

Operating voltage	24 V DC (18...30 V DC)
Current consumption	max. 19 mA

**Output**

Output filter	yes, mean value formation, parameterizable N = 0...64
Type	2-, 3-, 4-wire technology

Resolution (analog)	15 Bit + sign
Over voltage protection	30 V DC
Conversion time (analog)	max. 5 ms
Input range (analog)	0...20 mA, 4...20 mA, 0...10 V, -10...+10 V
Actuator supply UA	24 V DC (EN 61131-2), max. 200 mA
Valency	348 nA, 348 nA, 179.4 µV, 358.9 µV
Temperature drift	45 ppm/°K
Accuracy	0.10% (25 °C)

**IO-Link**

Data width	16 Bit / 2 Byte
Specification	IO-Link V1.1
Port Class	A
Data format	Siemens S7
Operating modes	COM2 (38.4 kbit/s)
Cycle time	min. 2.3 ms

**Parameterization**

Mean value filter	1 Byte
upper limit	2 Byte
lower limit	2 Byte
Measured value	Current/voltage
Diagnostics	lower limit, upper limit, over heated, supply over voltage, supply under voltage, defective device, sensor cable break, sensor supply over current, overrun

**Connections**

Analog output	M12 (female) 5-pole, A-coded, shielded
IO-Link	M12 (male) 5-pole, A-coded

**Protection**

Short-circuit protection sensor	yes, permanently
feed back resistance	yes, permanently
Reverse polarity protection module	yes, permanently
Over voltage protection	30 V DC

**Diagnostic**

Communication status	via LED and IO-Link
Diagnostic via LED	yes
Diagnostic via IO-Link	yes
Monitoring - under voltage	yes
Monitoring - over voltage	yes
Monitoring - temperature	yes
Underride and overrun	yes
Monitoring - limit	yes

**Commercial data**

country of origin	DE
customs tariff number	85389099
EAN	4048879588416
eClass	27242601
Packaging unit	1.000