



Main

Range of product	Altivar
Product or component type	Line choke
Product compatibility	ATV71WD55N4 - line choke - 1 per drive ATV71WD45N4 - line choke - 1 per drive ATV71WD37N4 - line choke - 1 per drive ATV71WD30N4 - line choke - 1 per drive ATV71HD90Y - line choke - 1 per drive ATV71HD55Y - line choke - 1 per drive ATV71HD55N4 - line choke - 1 per drive ATV71HD45N4 - line choke - 1 per drive ATV71HD37N4 - line choke - 1 per drive ATV71HD30N4 - line choke - 1 per drive ATV71HD15M3X - line choke - 1 per drive ATV61WD55N4C - line choke - 1 per drive ATV61WD55N4 - line choke - 1 per drive ATV61WD45N4C - line choke - 1 per drive ATV61WD45N4 - line choke - 1 per drive ATV61WD37N4C - line choke - 1 per drive ATV61WD37N4 - line choke - 1 per drive ATV61WD30N4C - line choke - 1 per drive ATV61WD30N4 - line choke - 1 per drive ATV61HD90Y - line choke - 1 per drive ATV61HD75Y - line choke - 1 per drive ATV61HD55Y - line choke - 1 per drive ATV61HD55N4 - line choke - 1 per drive ATV61HD45N4 - line choke - 1 per drive ATV61HD37N4 - line choke - 1 per drive ATV61HD30N4 - line choke - 1 per drive ATV61HD15M3X - line choke - 1 per drive ATV71HD75Y - line choke - 1 per drive
Number of phases	Three phase
Range compatibility	Altivar 61 Altivar 71
Product specific application	Reduction of overvoltages at motor terminals Reduction of current harmonics
Value of inductance	0.3 mH
[In] rated current	107 A
Thermal losses	260 W
Electrical connection	Bare wires, $\varnothing = 6.5$ mm

Complementary

Power supply frequency	50...60 Hz
Max current	1.65 x nominal current for 60 s
Voltage drop at rated load	3...5 %
Electrical insulation class	Class F
Clearance distance	5.5 mm conforming to IEC 60664
Leakage distance	11.5 mm conforming to IEC 60664
Product weight	16 kg
Width	270 mm
Height	210 mm
Depth	180 mm

The information provided in this documentation contains general descriptions and/or technical characteristics of the performance of the products contained herein. This documentation is not intended as a substitute for and is not to be used for determining suitability or reliability of these products for specific user applications. It is the duty of any such user or integrator to perform the appropriate and complete risk analysis, evaluation and testing of the products with respect to the relevant specific application or use thereof. Neither Schneider Electric Industries SAS nor any of its affiliates or subsidiaries shall be responsible or liable for misuse of the information contained herein.

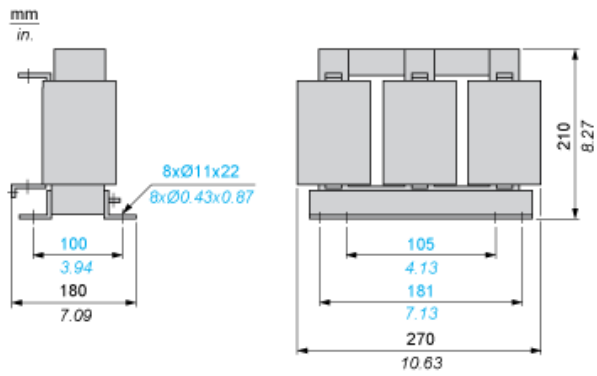
Environment

Standards	EN 50178 IEC 60076 (with HD398) VDE 0160 level 1
IP degree of protection	IP00 (terminals) IP00 (choke)
Environmental characteristic	3S1 conforming to IEC 721-3-3 3C2 conforming to IEC 721-3-3 3B1 conforming to IEC 721-3-3
Pollution degree	2 conforming to EN 50178
Vibration resistance	1.5 mm peak to peak (f = 3...13 Hz) conforming to IEC 60068-2-6 1 gn (f = 13...200 Hz) conforming to IEC 60068-2-6
Shock resistance	15 gn for 11 ms conforming to IEC 60068-2-27
Relative humidity	<= 95 %
Ambient air temperature for operation	0...45 °C without current derating > 45...< 55 °C with current derating of 2 % per °C
Ambient air temperature for storage	-25...70 °C
Operating altitude	1000...3000 m with current derating 1 % per 100 m <= 1000 m without current derating

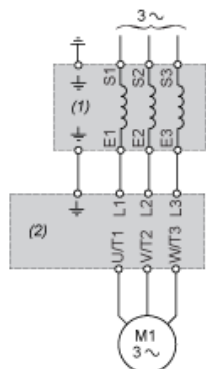
Offer Sustainability

Sustainable offer status	Not Green Premium product
RoHS (date code: YYWW)	Compliant - since 0801 - Schneider Electric declaration of conformity

Dimensions

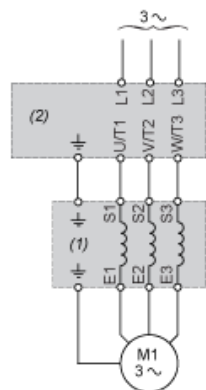


Recommended Schema - Line Choke



- (1) Line Choke
- (2) Drive

Recommended Schema - Motor Choke



- (1) Motor Choke
- (2) Drive