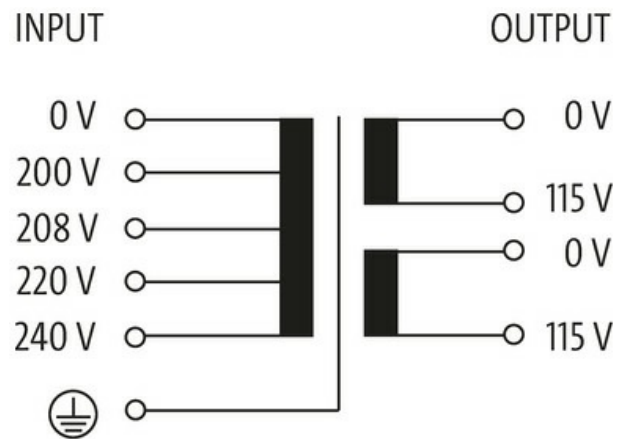


MST SINGLE-PHASE CONTROL AND ISOLATION TRANSFORMER

P:160VA IN:200/208/220/240VAC OUT:2x115VAC

Single-phase - Control and Isolation Transformers
 160 VA
 Isolation class T 40/B
 Other voltages on request.

[Link to Product](#)**Illustration**

Product may differ from Image

**General data**

Standards	EN 61558-1, EN 61558-2-4, EN 62041 category 0
Mounting method	Key-hole mounting
Temperature range	-20...+40 °C (storage temperature -40...+80 °C)
Test isolation voltage	3.9 kV
Drill hole Ø	5.8x12 mm
Fixing centers a×b×c	75.3×84×5.8 mm

The information in this brochure has been compiled with the utmost care.
 Liability for the correctness completeness and topicality of the information is restricted to gross negligence. Version: 03/22

Dimensions H×W×D 91×97×105 mm

Output

Output voltage 2× 115 V AC

Output rating 160 VA

Input

Input voltage 200, 208, 220, 240 V AC

Inrush current 9 A (200 V AC)

Short-circuit current 14.4 A (200 V AC)

Input current 0.92 A (200 V AC)

Frequency 50...60 Hz

Commercial data

country of origin CZ

customs tariff number 85043180

EAN 4048879311632

eClass 27031202

Packaging unit 1.000