

## NLS POWER SUPPLY 1/2-PHASE, LINEAR REGULATED

IN: 230/400VAC OUT: 24V/2ADC

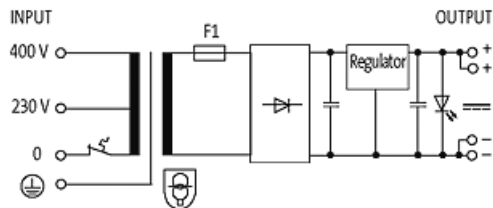
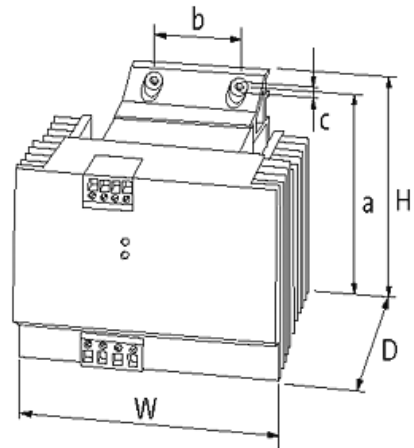
Current: 2 A

Output rating: 48 W

This power supply units meet the (EN 61000-3-2) standard for harmonic current.

### [Link to Product](#)

#### Illustration



Product may differ from Image



#### General data

Standards	EN 61558-2-6, EN 62041 category II, EN 55011 B, EN 61000-3-2
Mounting method	DIN-rail mountable TH35 (EN 60715); key-hole mounting/screwable
Efficiency	59%
Dimensions H×W×D	110×128×135 mm
Fixing centers a×b×c	98×44×4.5 mm
Temperature range	0...+60 °C, no condensation

#### Output

Output voltage	24 V DC (SELV), ±2%
Output current	2 A (max. 6 A short-term)
Ripple	max. 2 mV
Unit protection	short-circuit and overload protected
Output fuse	3.15 A (T), 5×20 mm
LED display	LED (green): in operation; LED (red): failure

#### Input

The information in this brochure has been compiled with the utmost care. Liability for the correctness completeness and topicality of the information is restricted to gross negligence. Version: 03/22

Input voltage	230/400 V AC
Input current	0.54 A (230 V AC); 0.32 A (400 V AC)
Input fuse (external)	1.0/0.6 A (T)
Frequency	50...60 Hz
Safety	Thermal switch input side

**Commercial data**

country of origin	CZ
customs tariff number	85044090
EAN	4048879079587
eClass	27049002
Packaging unit	1