

MSUD valve plug CI-9.4mm with cable

PUR 3x0.75 bk UL/CSA 5m

MSUD

Form CI (9.4 mm)

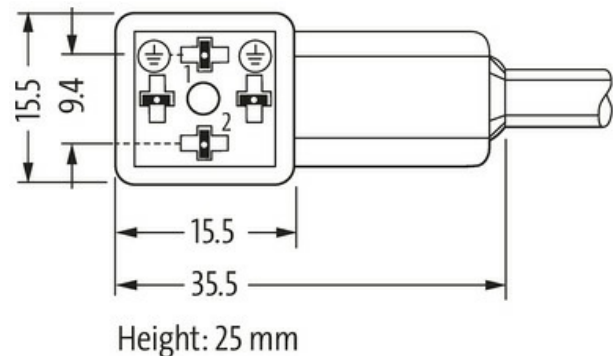
110 V AC/DC $\pm 10\%$

LED and suppression

Further cable lengths on request.

Plastic housings with good resistance against chemicals and oils.

The resistance to aggressive media should be individually tested for your application. Further details on request.

[Link to Product](#)**Illustration**

Product may differ from Image



* only for products with UL/CSA approved cable

Form

Form 94041

Technical Data

| | |
|-------------------------------|------------------------|
| Operating voltage | 110 V AC/DC $\pm 10\%$ |
| Rated surge voltage | 2.5 kV |
| Operating current per contact | max. 4 A |
| Switch off peak | max. 250 V |

| | |
|-----------------------|----------------------------------------|
| Locking of ports | M3 (recommended torque 0.4 Nm) |
| Protection | IP67 inserted and tightened (EN 60529) |
| Housing | Black plastic (gray on request) |
| Switch off delay time | max. 20 ms |

General data

| | |
|-------------------|------------------------------------------|
| Temperature range | -25...+85 °C, depending on cable quality |
|-------------------|------------------------------------------|

Cables

| | |
|------------------------------------|--------------------------------------------------------------------------------------------------------------------------------------------------------|
| No./diameter of wires | 3× 0.75 mm ² |
| Wire isolation | PVC (bk num, gnye) |
| C-track properties | 2 Mio. |
| Outer Ø | 5.9 mm ±5% |
| Cable identification | 626 |
| Cable Type | 2 (PUR/PVC) |
| Approval (cable) | UL (AWM-Style 20549/1731), CSA; CE conform |
| Cable weight [g/m] | 55,33 g |
| Material (wire) | Cu wire, bare |
| Resistor (core) | max. 26 Ω/km (20 °C) |
| Single wire Ø (core) | 0.15 mm |
| Construction (core) | 42× 0.15 mm (multi-strand wire class 6) |
| Diameter (core) | 3× 0.75 mm ² |
| AWG | similar to AWG 18 |
| Material (wire isolation) | PVC |
| Material property (wire isolation) | CFC-, cadmium-, silicone- and lead-free |
| Shore hardness (wire isolation) | 43 ±5 D |
| Wire-Ø incl. isolation | 1.8 mm ±5% |
| Color/numbering of wires | bk numbered, gnye longitudinally striped |
| Stranding combination | 3 wires twisted |
| Shield | no |
| Material (jacket) | PUR/PVC |
| Material property (jacket) | CFC-, halogen-, cadmium-, silicone- and lead-free, matt, low-adhesion, machine easy to process, abrasion-resistant, hydrolysis and microbial resistant |
| Shore hardness (jacket) | 80 ±5 A (PVC-under jacket); 85 ±5 A (PUR-jacket) |
| Outer-Ø (jacket) | 5.9 mm ±5% |
| Color (jacket) | black |
| Cable labeling | see frame delivery specifications 7000-00000-001 |
| Jacket Color | black |
| chemical resistance | good resistance to oil, gasoline and chemicals |
| Nominal voltage | UL 300 V AC |
| Test voltage | 2000 V AC |
| Current load capacity | to DIN VDE 0298-4 |
| Temperature range (fixed) | -30...+80 °C |
| Temperature range (fixed) | -30...+80 °C |
| Temperature range (mobile) | -5...+80 °C |
| Temperature range (mobile) | -5...+80 °C |
| Bend radius (fixed) | 10× outer Ø |
| Bend radius (moving) | 15× outer Ø |
| Bend radius (moving) | 15× outer Ø |
| No. of bending cycles (C-track) | max. 2 Mio. (25 °C) |
| Travel speed (C-track) | max. 3.3 m/s |
| Acceleration (C-track) | max. 5 m/s ² |
| Material (jacket) | PUR/PVC (UL/CSA) |

Commercial data

| | |
|-------------------|----|
| country of origin | CZ |
|-------------------|----|

| | |
|-----------------------|---------------|
| customs tariff number | 85444290 |
| EAN | 4048879114752 |
| eClass | 27279218 |
| Packaging unit | 1.000 |