

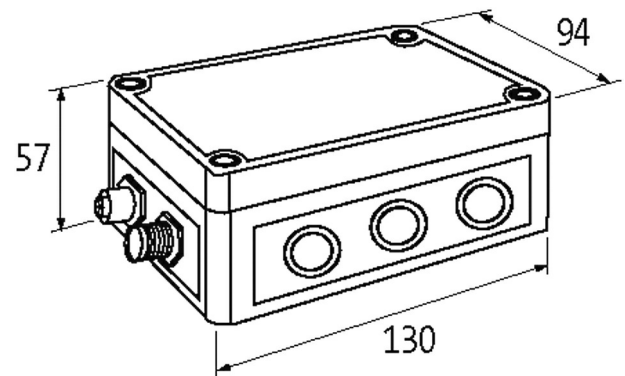
TERMINAL MODULE CUBE 67 IP67

8 digital inputs, 8 multifunction channels, PK

Terminal module
DIO8/DI8 - (E) TB-Box
with additional potential terminals
Connection cables are in the online shop under "Connection Technology".

Link to Product

Illustration



Product may differ from Image

General data

Mounting method	screw fixing
Temperature range	0...+55 °C (storage temperature -20...+75 °C)
Protection	IP66
Dimensions HxWxD	130x94x57 mm

Output

Lamp load	10 W
Actuator supply UA	24 V DC (EN 61131-2), via system connection (max. 4 A)
Switching current per output	max. 0.5 A (short-circuit and overload protected)

Input

Sensor supply US	24 V DC (EN 61131-2), max. 8x 200 mA
Type	for 3-wire sensors or mechanical switches, PNP
Input filter	1 ms

Internal communication

LED display	US: sensor supply and internal supply voltage (green: OK); UA: actuator supply (green: OK)
Current consumption	max. 50 mA

Parameterization

Terminal row X1 (8 channels)	Input/Output
Terminal row X0 (8 channels)	Input

Connections

Fieldbus	via internal system connection
Sensor-system/actuator supply	via internal system connection (max. 2x 4 A)
I/O ports	16x spring clamp plug-in terminals, max. 2.5 mm ²

Diagnostic

Communication status	via LED
Diagnostic via LED	per module and channel

Diagnostic via BUS	per module and channel
Actuator warning	per channel via LED and BUS
Monitoring - under voltage	yes
Monitoring - no voltage	yes
Short-circuit and overload	yes

Commercial data

country of origin	DE
customs tariff number	85176200
EAN	4048879044844
eClass	27242604
Packaging unit	1.000