

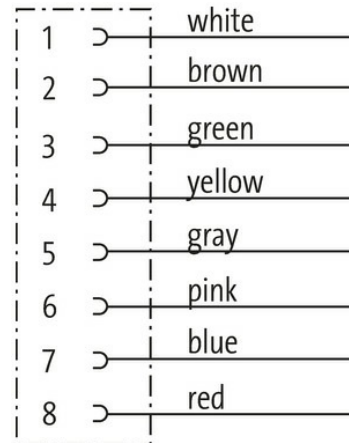
M12 female recept. A-cod. rear

PP-wires 8x0.34 0.2m

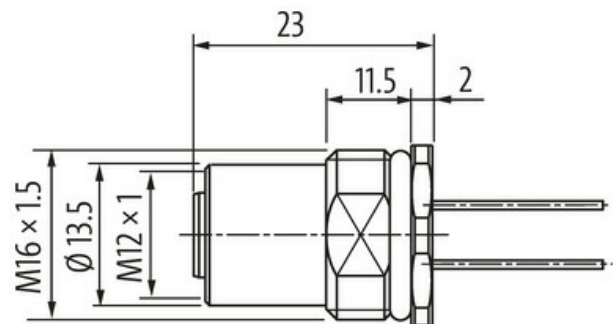
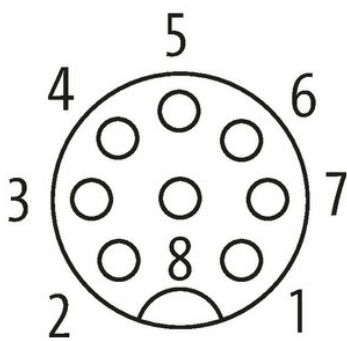
Flange female
M12, 8-pole
Rear mounting
with multi-strand wire

[Link to Product](#)

Illustration



Female



Product may differ from Image



Form

Form 17185

Technical Data

Operating voltage	max. 30 V AC/DC
Rated surge voltage	0.8 kV
Operating current per contact	max. 2 A

No. of poles	8
Material group	IEC 60664-1, category I
Coding	A-coded
LED display	no
Locking of ports	Screw thread (M12×1 mm) recommended torque 0.6 Nm, self-securing
Compression gland	M12 (SW14)
Protection	IP67 inserted and tightened (EN 60529)
Protection NEMA	3, 4, 6P (UL 50E)
Locking material	Brass, nickel plated

General data

Pollution Degree	3
Temperature range	-25...+85 °C

Cables

No./diameter of wires	8× 0.34 mm ²
Wire isolation	PP (wh, br, gn, ye, gr, pk, bl, rd)
C-track properties	5 Mio.
Outer Ø	1.25 mm ±5%
Cable number	985
Temperature range (fixed)	-40...+80 °C
Temperature range (mobile)	-25...+80 °C
Bend radius (fixed)	5× outer Ø
Bend radius (moving)	10× outer Ø
Torsion stress	2 Mio. ±180°/m

Commercial data

country of origin	DE
customs tariff number	85444290
EAN	4048879402217
eClass	27279220
Packaging unit	1.000