

SUPPRESSOR FOR CONTACTORS

Diode combination, 24 VDC, 25 W

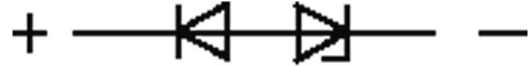
24 V DC

Z-Diode

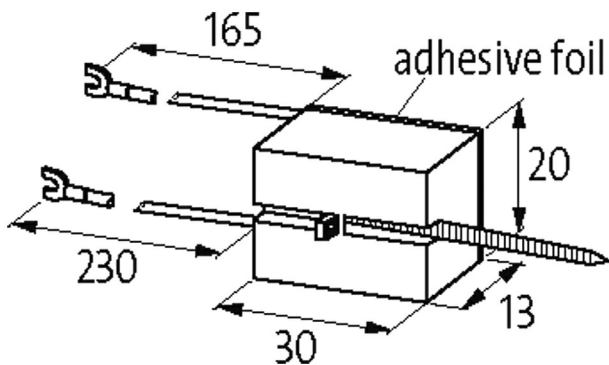
For other configurations and voltages, please inquire.

[Link to Product](#)

Illustration



Diode/Z-Diode



Product may differ from Image



Technical Data

Input voltage	0...240 V DC
Material	Flame retardant plastic acc. to (UL 94)
Damping factor	approx. 1.5× UN
Connection wires	self-securing cable forks
max. power (W)	25 W

General data

Temperature range	-20...+70 °C
Dimensions H×W×D	30×20×13 mm

Appropriate contactors

The information in this brochure has been compiled with the utmost care. Liability for the correctness completeness and topicality of the information is restricted to gross negligence. Version: 03/22

universal

Commercial data	
country of origin	CZ
customs tariff number	85363010
EAN	4048879018272
eClass	27371013
Packaging unit	1.000