



Main

Product or component type	Passive filter
Product specific application	Reduction of current harmonics

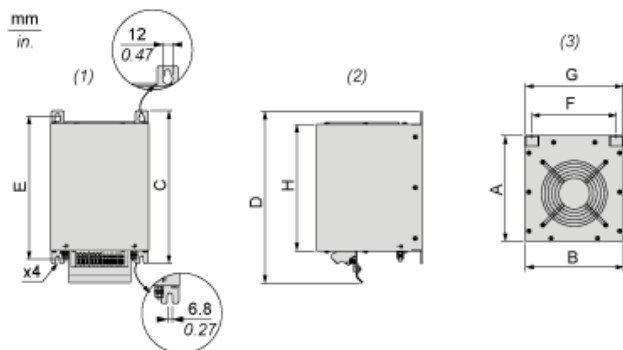
Complementary

Range compatibility	Altivar 61 Altivar 71 Altivar Process ATV600 Altivar Process ATV900
[Us] rated supply voltage	480 V (+/- 10 %)
Power supply frequency	60 Hz (tolerance: +/- 2 %)
Quantity per drive	1 filter per drive for variable speed drive ATV930 wall mount, motor: 15 kW / 20 hp 1 filter per drive for variable speed drive ATV950 wall mount, motor: 15 kW / 20 hp 1 filter per drive for variable speed drive ATV630 wall mount, motor: 15 kW / 20 hp 1 filter per drive for variable speed drive ATV650 wall mount, motor: 15 kW / 20 hp 1 filter per drive for variable speed drive ATV71W motor: 15 kW / 20 hp 1 filter per drive for variable speed drive ATV71H motor: 15 kW / 20 hp 1 filter per drive for variable speed drive ATV61H motor: 15 kW / 20 hp 1 filter per drive for variable speed drive ATV61W motor: 15 kW / 20 hp
[In] rated current	26 A for output 25 A for input
Network number of phases	3 phases
THDI	10 % for variable speed drive ATV930 motor: 15 kW / 20 hp 10 % for variable speed drive ATV950 motor: 15 kW / 20 hp 10 % for variable speed drive ATV630 motor: 15 kW / 20 hp 10 % for variable speed drive ATV650 motor: 15 kW / 20 hp 16 % for variable speed drive ATV71W motor: 15 kW / 20 hp 16 % for variable speed drive ATV71H motor: 15 kW / 20 hp 16 % for variable speed drive ATV61H motor: 15 kW / 20 hp 10 % for variable speed drive ATV61W motor: 15 kW / 20 hp
Max current	1.5 x nominal current (duration = 60 s)
Efficiency	<= 98 %
Thermal losses	224 W
Cos phi	0.99 at 100 % of line current 0.85 at 75 % of line current 1 at 150 % of line current
Electrical connection	A, B terminal, connection capacity: 2.5 mm ² X1-1...X2-3 terminal, connection capacity: 0.5...10 mm ²
Electrical insulation class	Class F
Product weight	25 kg

Environment

IP degree of protection	IP55 (enclosure mounting) IP20
Vibration resistance	0.7 gn (f = 13.2...150 Hz) conforming to EN 60068-2-6 2 mm peak to peak (f = 5...13.2 Hz) conforming to EN 60068-2-6
Relative humidity	5...85 % without condensation
Ambient air temperature for operation	5...45 °C without current derating > 45...60 °C with current derating 3 % per °C
Ambient air temperature for storage	> -25...65 °C during transport > -25...55 °C storage in original packaging
Operating altitude	> 1000...4000 m with current derating 5 % per 1000 m <= 1000 m without current derating
Standards	EN/IEC 61000-3-2 EN/IEC 61000-3-12 EN/IEC 61000-3-4 EN/IEC 61000-2-2 EN/IEC 61000-2-4 G5/4 engineering recommendation

Dimensions



- (1) Front view
- (2) Right side view
- (3) Top view

Dimensions in mm

A	B	C	D	E	F	G	H
247.5	232	399.55	436.11	380	205	230	350

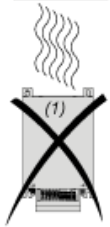
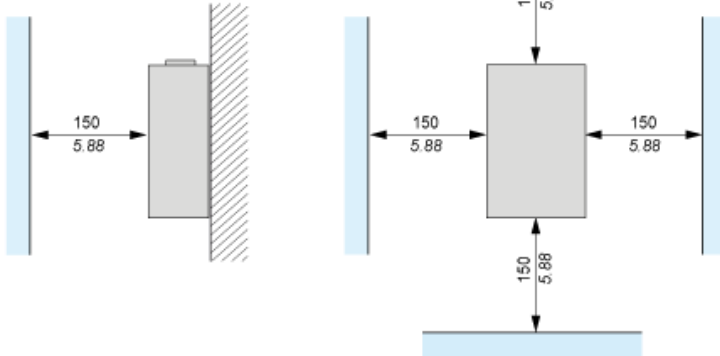
Dimensions in in.

A	B	C	D	E	F	G	H
9.74	9.13	15.73	17.17	14.96	8.07	9.06	13.78

Mounting Recommendations

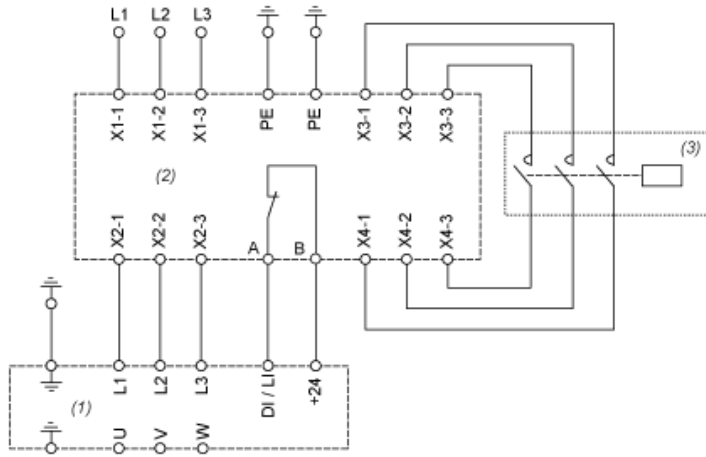
Vertical Mounting Only

mm
in.



(1) Filter

Recommended Schema



- (1) Drive
- (2) Filter
- (3) Optional