

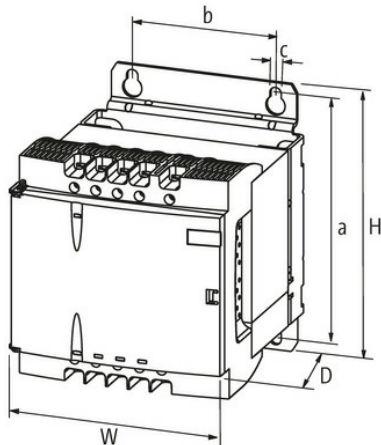
MTL 1-PHASE SAFETY TRANSFORMER

P: 25VA IN: 230/400VAC +/- 15VAC OUT: 2x24VAC

Single-phase safety transformer
25 VA
Isolation class T 60/B

[Link to Product](#)

Illustration



Product may differ from Image



Technical Data

LED display LED (green) for input voltage

General data

Standards	EN 61558-2-4, EN 61558-2-6, EN 62041 category 0
Mounting method	DIN-rail mountable TH35-15 (EN 60715) or for key-hole mounting
Temperature range	-20...+60 °C, no condensation
Test isolation voltage	5.1 kV (prim./sec.)

Drill hole Ø	5.5×9 mm
Fixing centers a×b×c	96×60×5.5 mm
Dimensions H×W×D	108×87×98 mm

Output

Output voltage	1× 24/1× 48/2× 24 V AC
Output rating	25 VA

Input

Input voltage	230/400 ±15 V AC
Inrush current	1.62 A (230 V AC); 0.94 A (400 V AC)
Short-circuit current	1.61 A (230 V AC); 0.93 A (400 V AC)
Input current	0.19 A (230 V AC); 0.11 A (400 V AC)
Frequency	50...60 Hz

Commercial data

country of origin	CZ
customs tariff number	85043180
EAN	4048879078351
eClass	27031302
Packaging unit	1.000