



Main

Product or component type	Passive filter
Product specific application	Reduction of current harmonics

Complementary

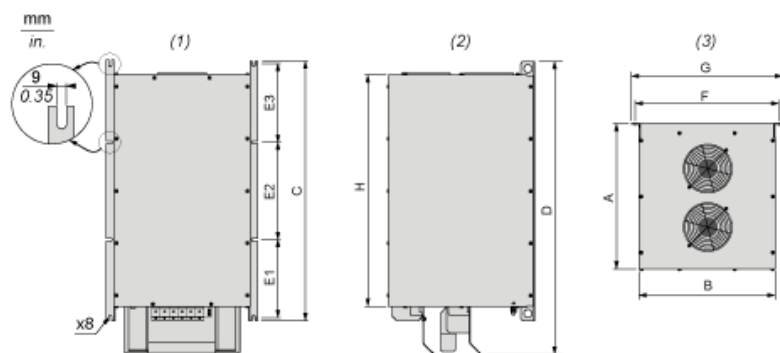
Range compatibility	Altivar 61 Altivar 71
[Us] rated supply voltage	480 V (+/- 10 %)
Power supply frequency	60 Hz (tolerance: +/- 2 %)
Quantity per drive	1 filter per drive for variable speed drive ATV71Q motor: 220 kW / 350 hp 1 filter per drive for variable speed drive ATV71Q motor: 200 kW / 300 hp 1 filter per drive for variable speed drive ATV61Q motor: 200 kW / 300 hp 1 filter per drive for variable speed drive ATV71H motor: 200 kW / 300 hp 1 filter per drive for variable speed drive ATV61H motor: 220 kW / 350 hp 2 filters per drive for variable speed drive ATV71H motor: 250 kW / 400 hp 3 filters per drive for variable speed drive ATV61Q motor: 560 kW / 800 hp 3 filters per drive for variable speed drive ATV61H motor: 560 kW / 800 hp
[In] rated current	369 A for output 355 A for input
Network number of phases	3 phases
THDI	10 % for variable speed drive ATV71Q motor: 220 kW / 350 hp 10 % for variable speed drive ATV71Q motor: 200 kW / 300 hp 10 % for variable speed drive ATV61Q motor: 200 kW / 300 hp 10 % for variable speed drive ATV71H motor: 200 kW / 300 hp 10 % for variable speed drive ATV61H motor: 220 kW / 350 hp 10 % for variable speed drive ATV71H motor: 250 kW / 400 hp 10 % for variable speed drive ATV61Q motor: 560 kW / 800 hp 10 % for variable speed drive ATV61H motor: 560 kW / 800 hp
Max current	1.5 x nominal current (duration = 60 s)
Efficiency	<= 98 %
Thermal losses	952 W
Cos phi	0.99 at 100 % of line current 0.85 at 75 % of line current 1 at 150 % of line current
Electrical connection	X1-1...X2-3 terminal, connection capacity: 25...300 mm ² A, B terminal, connection capacity: 2.5 mm ²
Electrical insulation class	Class F
Product weight	162 kg

The information provided in this documentation contains general descriptions and/or technical characteristics of the performance of the products contained herein. This documentation is not intended as a substitute for and is not to be used for determining suitability or reliability of these products for specific user applications. It is the duty of any such user or integrator to perform the appropriate and complete risk analysis, evaluation and testing of the products with respect to the relevant specific application or use thereof. Neither Schneider Electric Industries SAS nor any of its affiliates or subsidiaries shall be responsible or liable for misuse of the information contained herein.

Environment

IP degree of protection	IP55 (enclosure mounting) IP20
Vibration resistance	0.7 gn (f = 13.2...150 Hz) conforming to EN 60068-2-6 2 mm peak to peak (f = 5...13.2 Hz) conforming to EN 60068-2-6
Relative humidity	5...85 % without condensation
Ambient air temperature for operation	5...45 °C without current derating > 45...60 °C with current derating 3 % per °C
Ambient air temperature for storage	> -25...65 °C during transport > -25...55 °C storage in original packaging
Operating altitude	> 1000...4000 m with current derating 5 % per 1000 m <= 1000 m without current derating
Standards	EN/IEC 61000-3-2 EN/IEC 61000-3-12 EN/IEC 61000-3-4 EN/IEC 61000-2-2 EN/IEC 61000-2-4 G5/4 engineering recommendation

Dimensions



- (1) Front view
- (2) Right side view
- (3) Top view

Dimensions in mm

A	B	C	D	E1	E2	E3	F	G	H
448.5	420	800	900.06	240	300	240	443	468	713

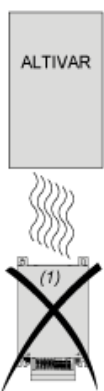
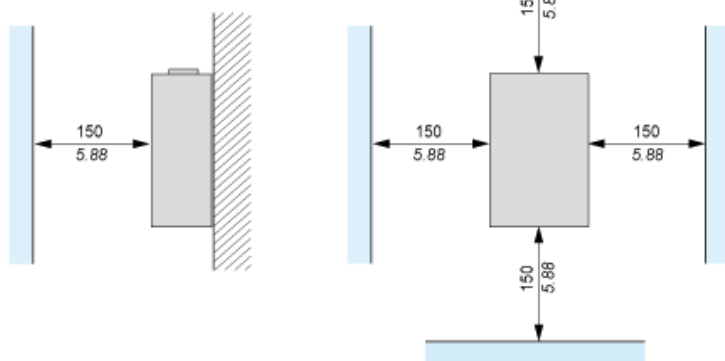
Dimensions in in.

A	B	C	D	E1	E2	E3	F	G	H
17.66	16.54	31.50	35.43	9.45	11.81	9.45	17.44	18.43	28.07

Mounting Recommendations

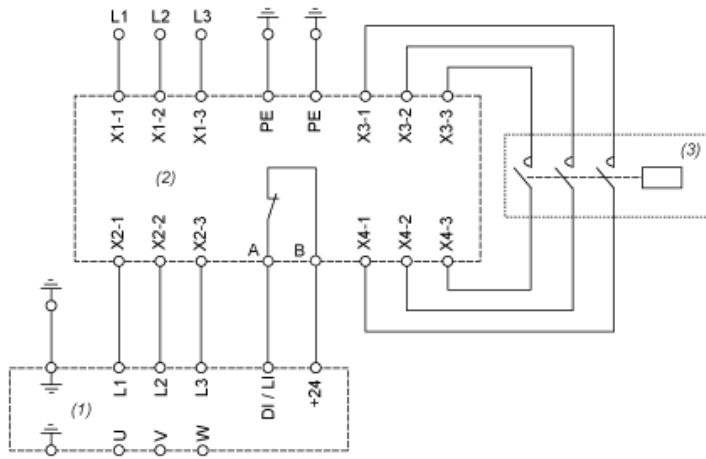
Vertical Mounting Only

mm
in.



(1) Filter

Recommended Schema



- (1) Drive
- (2) Filter
- (3) Optional