

Emparro ACCUcontrol UPS-Module

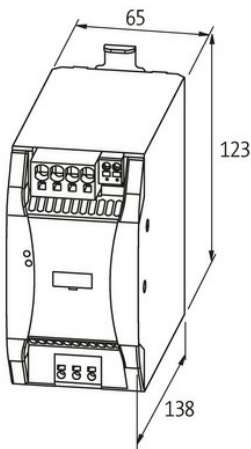
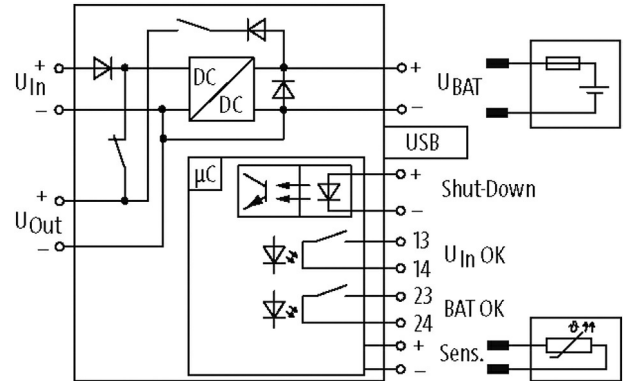
IN: 24VDC OUT: 24VDC/20A

INPUT: 24 V DC (SELV/PELV)

OUTPUT: max. 20 A

[Link to Product](#)

Illustration



Product may differ from Image



Technical Data

Sensor type	KTY 81-210 (Art.No. 89600)
Battery type	Lead battery (max. 40 Ah, sealed)

General data

Mounting method	DIN-rail mountable TH35-7.5/TH35-15 (EN 60715)
Temperature range	-25...+45 °C
Connection	Push-In spring clamp terminals, Mini-USB
Dimensions H×W×D	123×65×143 mm

Output

The information in this brochure has been compiled with the utmost care. Liability for the correctness completeness and topicality of the information is restricted to gross negligence. Version: 03/22

Output voltage	27.7...19.2 V DC
Output current	max. 20 A
Input	
Input voltage	21.6...30 V DC (buffer operation)
Loading current	2 A
Input current	max. 23 A
Control inputs	
Input voltage shutdown (SH)	24 V DC (6...45 V DC), potential free
Control outputs	
Input voltage (Uin OK)	min. 5 V DC, 1 mA; max. 30 V DC, 100 mA
Battery (BAT OK)	min. 5 V DC, 1 mA; max. 30 V DC, 100 mA
Commercial data	
country of origin	DE
customs tariff number	85371091
EAN	4048879694339
eClass	27049002
Packaging unit	1.000