

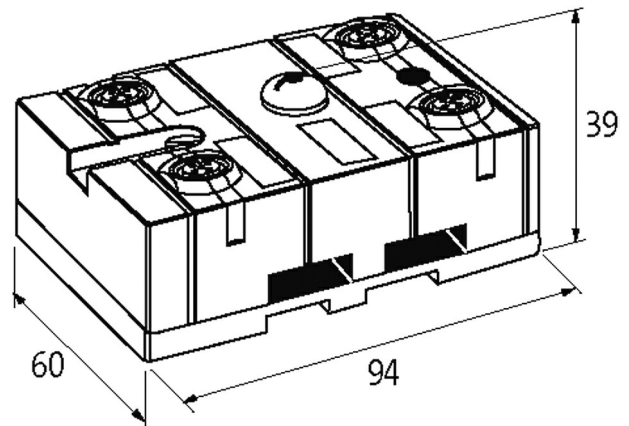
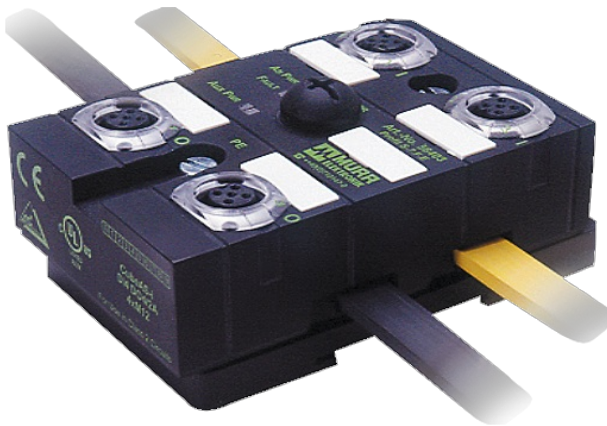
MASI67 INSTALLATION TECHNOLOGY

Conversion from profile cable to 4xM12

MASI67 passive distribution box
 2x profile cable to 4x M12 (female)
 Connection cables are in the online shop under "Connection Technology".
 Housing fully potted.

Link to Product

Illustration



Product may differ from Image



Technical Data

Bus voltage (AS-Interface)	26.5...31.6 V DC
External supply	1x aux power
Current via M12 port	max. 4 A
Total current	max. 8 A

General data

Protection	IP67
Mounting method	DIN-rail mountable (EN 60715) or screw fixing
Temperature range	-20...+60 °C (storage temperature -40...+80 °C)
Dimensions HxWxD	94x60x39 mm

System connection

Communication and module supply	via AS-Interface system connection
---------------------------------	------------------------------------

Commercial data

country of origin	DE
customs tariff number	85369010
EAN	4048879049016
eClass	27279219
Packaging unit	1