

M12 female 90° A-cod. with cable shielded

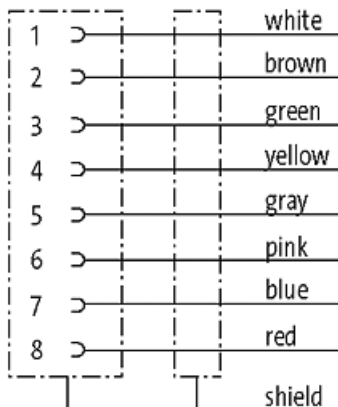
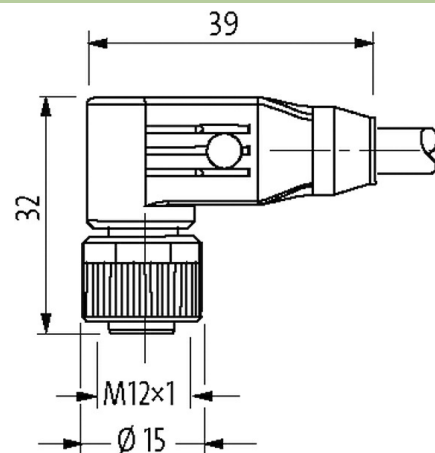
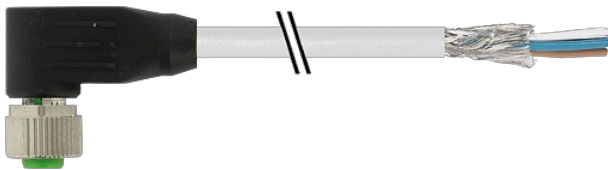
PUR 4x2x0.25 shielded gy 3m

Female 90°
M12, 8-pole
shielded
with cable sleeves

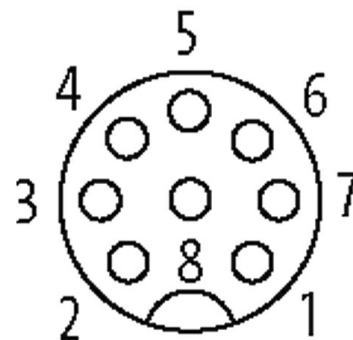
Plastic housings with good resistance against chemicals and oils.

The resistance to aggressive media should be individually tested for your application. Further details on request.

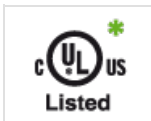
Further cable lengths on request.

[Link to Product](#)**Illustration**

Female



Product may differ from Image



* only for products with UL/CSA approved cable

Form

Form 17141

Technical Data

Operating voltage max. 30 V AC/DC

| | |
|------------------------------------|------------------------------------------------------------------|
| Rated surge voltage | 0.8 kV |
| Operating current per contact | max. 2 A |
| Material group | IEC 60664-1, category I |
| Coding | A-coded |
| Locking of ports | Screw thread (M12×1 mm) recommended torque 0.6 Nm, self-securing |
| Compression gland | M12 (SW13) |
| Protection | IP65, IP66K, IP67 inserted and tightened (EN 60529) |
| Locking material | Zinc die casting, nickel-plated |
| Material | PUR |
| Operating voltage (only UL listed) | max. 30 V AC/DC |

General data

| | |
|-------------------|------------------------------------------|
| Pollution Degree | 3 |
| Temperature range | -25...+85 °C, depending on cable quality |
| Standards | DIN EN 61076-2-101 (M12) |

Cables

| | |
|------------------------------------|---------------------------------------------------------------|
| Cable number | 286 |
| No./diameter of wires | 4× 2× 0.25 mm ² |
| Wire isolation | PP (wh, br, gn, ye, gr, pk, bl, rd) |
| Jacket Color | gray |
| Material (jacket) | TPU |
| Outer Ø | 7.1 mm ±5% |
| Bend radius (moving) | 15× outer Ø |
| Temperature range (fixed) | -40...+90 °C |
| Temperature range (mobile) | -5...+90 °C |
| Cable identification | 286 |
| Approval (cable) | CE conform |
| Cable weight [g/m] | 74,80 |
| Material (wire) | Cu wire, bare |
| Resistor (core) | max. 79 Ω/km (20 °C) |
| Single wire Ø (core) | 0.1 mm |
| Construction (core) | 32× 0.1 mm (multi-strand wire class 6) |
| Diameter (core) | 4× 2× 0.25 mm ² |
| AWG | similar to AWG 24 |
| Material (wire isolation) | PP |
| Material property (wire isolation) | CFC-, halogen-, cadmium-, silicone- and lead-free |
| Shore hardness (wire isolation) | 65 ±5 D |
| Wire-Ø incl. isolation | 1.2 mm ±5% |
| Color/numbering of wires | br, wh, rd, bl, pk, gr, ye, gn |
| Shield | yes |
| Material (jacket) | TPU |
| Shore hardness (jacket) | 85 ±5 A |
| Outer-Ø (jacket) | 7.1 mm ±5% |
| Color (jacket) | gray |
| chemical resistance | good resistance to oil, gasoline and chemicals (EN 60811-404) |
| thermal resistance | flame retardant EN 60332-1 |
| Nominal voltage | 300 V AC |
| Test voltage | 1500 V AC |
| Current load capacity | to DIN VDE 0298-4 |
| Temperature range (fixed) | -40...+90 °C |
| Temperature range (mobile) | -5...+90 °C |
| Bend radius (fixed) | 7.5× outer Ø |
| Bend radius (moving) | 15× outer Ø |

Commercial data

The information in this brochure has been compiled with the utmost care.

Liability for the correctness completeness and topicality of the information is restricted to gross negligence. Version: 03/22

| | |
|-----------------------|---------------|
| country of origin | DE |
| customs tariff number | 85444290 |
| EAN | 4048879842983 |
| eClass | 27279218 |
| Packaging unit | 1 |