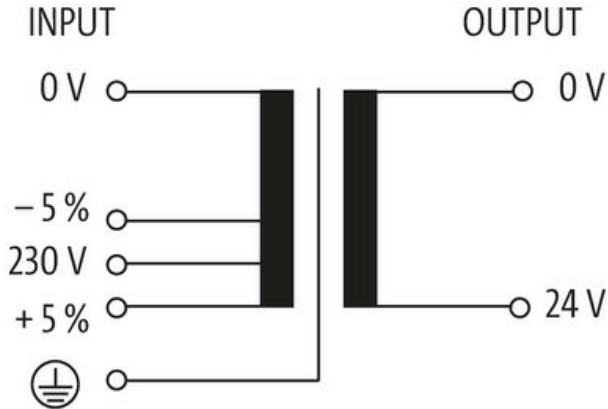
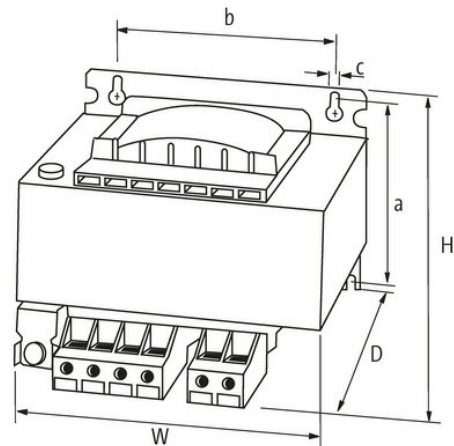


MET 1-PHASE SAFETY TRANSFORMER

P: 500VA IN: 230VAC+/- 5% OUT: 24VAC

Single-phase safety transformer
500 VA
Isolation class T 60/B

[Link to Product](#)**Illustration**

Product may differ from Image

**General data**

Standards	EN 61558-1, EN 61558-2-6, EN 62041 category 0
Mounting method	Key-hole mounting
Temperature range	-20...+60 °C (storage temperature -40...+80 °C)
Test isolation voltage	4 kV (prim./sec.)
Drill hole Ø	7×11 mm
Fixing centers a×b×c	90×122×7 mm
Dimensions H×W×D	112.6×150×146 mm

Output

The information in this brochure has been compiled with the utmost care.
Liability for the correctness completeness and topicality of the information is restricted to gross negligence. Version: 03/22

Output voltage	24 V AC (SELV)
----------------	----------------

Output rating	500 VA
---------------	--------

Input

Input voltage	230 V AC $\pm 5\%$
---------------	--------------------

Inrush current	35.45 A (230 V AC)
----------------	--------------------

Short-circuit current	74.76 A (230 V AC)
-----------------------	--------------------

Input current	2.3 A (230 V AC)
---------------	------------------

Frequency	50...60 Hz
-----------	------------

Commercial data

country of origin	CZ
-------------------	----

customs tariff number	85043180
-----------------------	----------

EAN	4048879079037
-----	---------------

eClass	27031302
--------	----------

Packaging unit	1.000
----------------	-------