

MASI20 I/O MODULE RELAY

4 digital inputs, 4 digital relay outputs

Digital inputs/relay outputs

DI4 - 0.15 A DO4R - 2 A

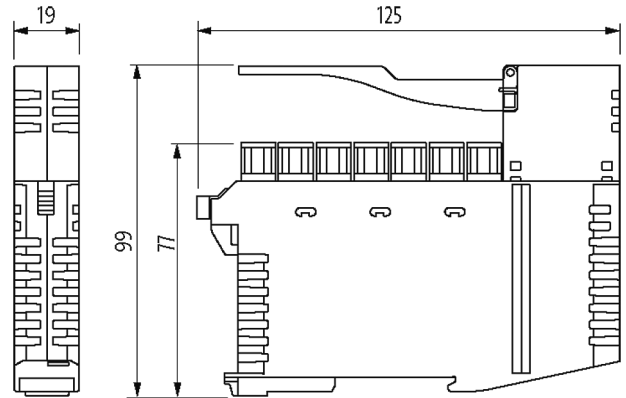
Standard-Slave

Protection IP20

Current manuals can be downloaded at: www.murrelektronik.com

Link to Product

Illustration



Product may differ from Image



Technical Data

Bus voltage (AS-Interface)	26.5...31.6 V DC
Total current (AS-Interface)	max. 230 mA
Addressing	via built-in address port or master
Address range	1...31 via address port
Profile (IO/ID/ID2 code)	S-7.0.E

General data

Protection	IP20
Connection	Push-In spring clamp terminals, 0.2...2.5 mm ² (0.25...1.5 mm ²)
Mounting method	DIN-rail mountable (EN 60715)
Temperature range	-25...+70 °C (storage temperature -25...+85 °C)
Dimensions H×W×D	125×19×99 mm

Output

Supply voltage	250 V AC/30 V DC
Switching current per output	2 A
Total current	max. 8 A

Input

Supply voltage	alternatively (switchable) from AS-Interface or from 24 V DC (EN 61131-2) by additional supply
Sensor supply US	max. 150 mA externally or from AS Interface (short-circuit and overload protected)
Type	for 3-wire sensors or mechanical switches, PNP

Input current max. 5.6 mA

Diagnostic

Communication status via LED

Diagnostic via LED per module

Monitoring - no voltage yes

Commercial data

country of origin SG

customs tariff number 85176200

EAN 4048879705271

eClass 27242604

Packaging unit 1