

B10 frame (female) for 3 modules

a...c

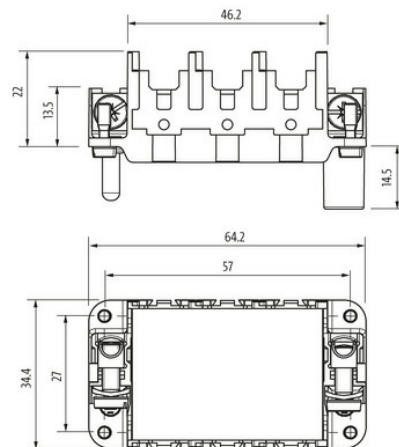
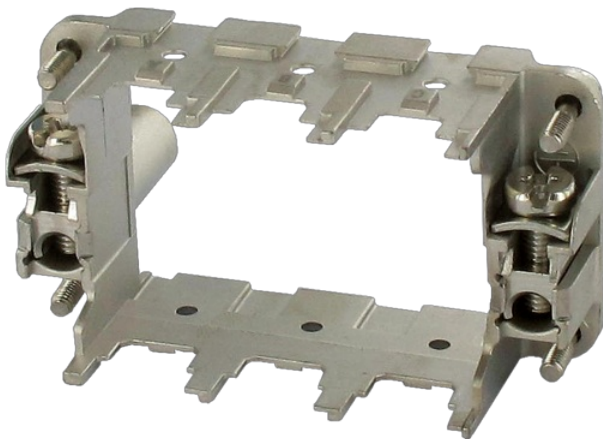
B10

Frame

Female

for 3 modules

Technical data will be only guaranteed with Murrelektronik components.

[Link to Product](#)**Illustration**

Product may differ from Image

Technical Data

No. of poles	2 PE
Connection	Screw terminal
Connection cross section	1...6 mm ² (AWG 18...10)
Mating cycles (frame)	min. 500
Insertion and withdrawal force	< 60 N
Mating cycles (safety element)	min. 20
Holding force (PE contact)	250 N
Contact resistance	≤ 5 mΩ
Holding force (modules)	≥ 300 N (when stuck) ≥ 600 N (when pulling)

General data

Material (contact)	Brass
Material (contact surface)	Ni
Temperature range	-40...+125 °C
No. of module positions	3
Flammability class	V-0 (acc. to UL 94)
Material (safety element)	PC GF
Size	B10
Material (frame)	Zinc die casting, nickel-plated
Climatic category	40/125/10
Frame type	Female
Dimensions H×W×D	36.5×34.4×64.2 mm

Commercial data

country of origin	CZ
customs tariff number	85389099

EAN	4048879641746
eClass	27143424
Packaging unit	1.000