

PE-Female module, 1-pole, axial screw t.

1000 V, 200 A

Female

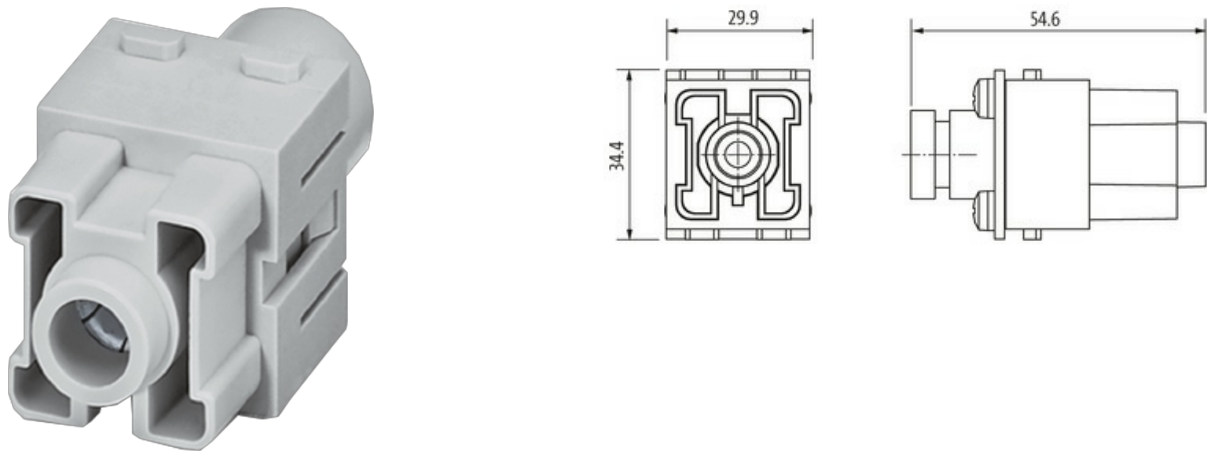
PE

Axial screw connection

Technical data will be only guaranteed with Murrelektronik components.

Axial screw connection only for flexible wires

The clip 70MH-ZZ100-0000000 is needed (4×)

Link to Product**Illustration**

Product may differ from Image

Technical Data

Operating current	200 A
No. of poles	PE
Mating cycles	min. 500
Connection	Axial screw connection, hexagonal socket (SW5)
Connection cross section	25...70 mm ² (AWG 3...00)
Stripping length	16 mm
Tightening torque	8 Nm (25...70 mm ²); 9 Nm (70 mm ²)
Wire-Ø incl. isolation	max. 12 mm (25 mm ²); 16 mm (40 mm ²)

General data

Material (contact)	Brass
Material (contact surface)	Ag
Pollution Degree	3
Temperature range	-40...+125 °C
No. of module positions	2
Flammability class	V-0 (acc. to UL 94)
Type	Female
Material (module)	PC
Dimensions H×W×D	60.1×34.3×29.3 mm

Commercial data

country of origin	PL
customs tariff number	85366990
EAN	4048879663915
eClass	27143424

Packaging unit

1.000