

MVP12, 4XM12, 5POLE, PLUG. CAP

Plug. cap, field-wireable via screw terminals

4-way, 5-pole

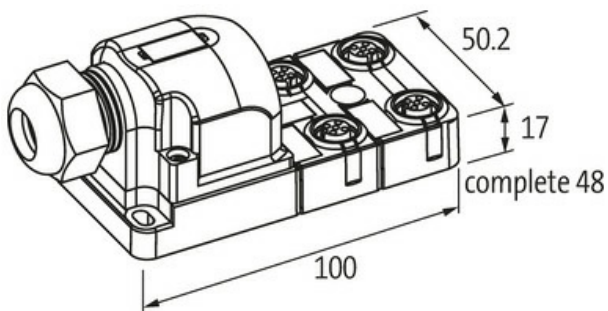
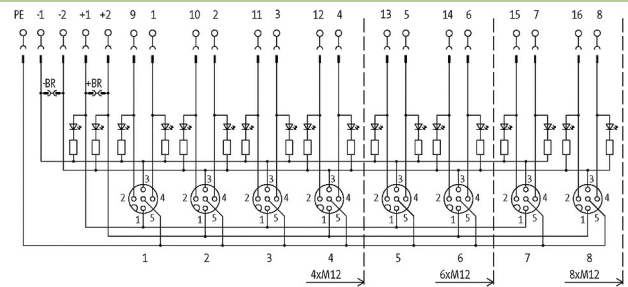
Screw plug-in terminals

Potential separation as option

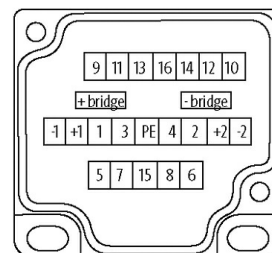
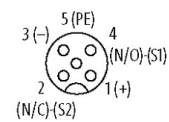
with LED for digital PNP-signals 24 V DC

Plastic housings with good resistance against chemicals and oils.

The resistance to aggressive media should be individually tested for your application. Further details on request.

Link to Product**Illustration**

M12 Females 5-pole



for 2 signals per port

Product may differ from Image

**Technical Data**

Operating voltage	24 V DC
Operating current per contact	max. 4 A
Locking of ports	Screw thread (M12×1 mm)
Connection	Screw plug-in terminals: max. 1.5 mm ² (AWG 16)
Protection	IP67 inserted and tightened (EN 60529)
Housing	Plastic, flame retardant

Signal per port	2
Total current	max. 2× 8 A

General data

Temperature range	-20...+80 °C
Dimensions H×W×D	100×50.2×17 mm

Contact Layout

PIN 1	(+)
PIN 2	(NC)/(S2)
PIN 3	(-)
PIN 4	(NO)/(S1)
PIN 5	(Earth)
	LED (green): Power / LED (yellow): (S1/S2)

Commercial data

country of origin	DE
customs tariff number	85369010
EAN	4048879063302
eClass	27279219
Packaging unit	1.000