



Main

Range of product	Altivar
Product or component type	ATV71 braking resistor ATV61 braking resistor
Range compatibility	Altivar 12 Altivar 312 Altivar 61 Altivar 71 Altivar 32 Altivar 31C Altivar 312 Solar Altivar Easy 310 Altivar Machine ATV320
Product compatibility	Variable speed drive ATV320...C motor : 4 kW, 380...500 V, three phase Variable speed drive ATV320...C motor : 3 kW, 380...500 V, three phase Variable speed drive ATV320...C motor : 2.2 kW, 380...500 V, three phase Variable speed drive ATV320...C motor : 1.5 kW, 380...500 V, three phase Variable speed drive ATV320...C motor : 1.1 kW, 380...500 V, three phase Variable speed drive ATV320...C motor : 0.75 kW, 380...500 V, three phase Variable speed drive ATV320...C motor : 0.55 kW, 380...500 V, three phase Variable speed drive ATV320...C motor : 0.37 kW, 380...500 V, three phase Variable speed drive ATV320...C motor : 1.5 kW, 200...240 V, single phase Variable speed drive ATV320...C motor : 1.1 kW, 200...240 V, single phase Variable speed drive ATV320...C motor : 0.75 kW, 200...240 V, single phase Variable speed drive ATV320...C motor : 0.55 kW, 200...240 V, single phase Variable speed drive ATV320...C motor : 0.37 kW, 200...240 V, single phase Variable speed drive ATV320...C motor : 0.18 kW, 200...240 V, single phase Variable speed drive ATV320...B motor : 4 kW, 380...500 V, three phase Variable speed drive ATV320...B motor : 3 kW, 380...500 V, three phase Variable speed drive ATV320...B motor : 2.2 kW, 380...500 V, three phase Variable speed drive ATV320...B motor : 1.5 kW, 380...500 V, three phase Variable speed drive ATV320...B motor : 1.1 kW, 380...500 V, three phase Variable speed drive ATV320...B motor : 0.75 kW, 380...500 V, three phase Variable speed drive ATV320...B motor : 0.55 kW, 380...500 V, three phase Variable speed drive ATV320...B motor : 0.37 kW, 380...500 V, three phase Variable speed drive ATV320...B motor : 1.5 kW, 200...240 V, single phase Variable speed drive ATV320...B motor : 1.1 kW, 200...240 V, single phase Variable speed drive ATV320...B motor : 0.75 kW, 200...240 V, single phase Variable speed drive ATV320...B motor : 0.55 kW, 200...240 V, single phase Variable speed drive ATV320...B motor : 0.37 kW, 200...240 V, single phase Variable speed drive ATV320...B motor : 0.18 kW, 200...240 V, single phase ATV71WU30N4 ATV71PU30N4Z ATV71WU22N4 ATV71WU15N4 ATV71PU22N4Z ATV71PU15N4Z ATV71WU40N4 ATV71W075N4 ATV71PU40N4Z ATV71P075N4Z ATV71HU5Y ATV71HU40Y

Ohmic value	100 Ohm
-------------	---------

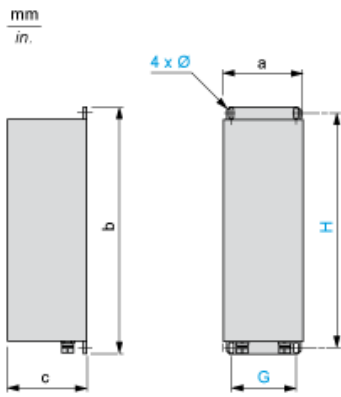
Complementary

Electrical connection	<= 4 mm ² terminal (AWG 28) for drive <= 1.5 mm ² terminal (AWG 16) for temperature control switch
Protection type	Thermal protection via drive or temperature control switch at 120 °C
Temperature controlled switch voltage	250 V AC 24 V DC
Temperature controlled switch current	0.1...1 A
Temperature controlled switch contact resistance	<= 60 µOhm
Product weight	1.9 kg

Environment

Ambient air temperature for operation	0...50 °C
Ambient air temperature for storage	-25...70 °C
IP degree of protection	IP20

Dimensions



Dimensions in mm

a	b	c	G	H	Ø
95	293	95	70	275	6 x 12

Dimensions in in.

a	b	c	G	H	Ø
3.74	11.53	3.74	2.75	10.82	0.24 X 0.47

Clearance

