

Main

Range of product	Altivar
Product or component type	ATV71 braking resistor ATV61 braking resistor
Range compatibility	Altivar 12 Altivar 312 Altivar 61 Altivar 71 Altivar 32 Altivar 31C Altivar 312 Solar Altivar Easy 310 Altivar Machine ATV320
Product compatibility	Variable speed drive ATV320...C motor : 2.2 kW, 200...240 V, single phase Variable speed drive ATV320...B motor : 7.5 kW, 380...500 V, three phase Variable speed drive ATV320...B motor : 5.5 kW, 380...500 V, three phase Variable speed drive ATV320...B motor : 2.2 kW, 200...240 V, single phase Variable speed drive ATV310 motor : 7.5 kW Variable speed drive ATV310 motor : 5.5 kW ATV71WU75N4 ATV71WU55N4 ATV71PU75N4Z ATV71PU55N4Z ATV71HU75Y ATV71HU75S6X ATV71HU75N4 ATV71HU55S6X ATV71HU55N4 ATV71HU40S6X ATV71HU30S6X ATV71HU22S6X ATV71HU22M3 ATV71HU15S6X ATV71HU15M3 ATV71HD11Y ATV61WU75N4C ATV61WU75N4 ATV61WD11N4C ATV61WD11N4 ATV61HU75S6X ATV61HU75N4 ATV61HU55S6X ATV61HU55N4 ATV61HU40S6X ATV61HU30S6X ATV61HU22S6X ATV61HU22M3 ATV61HU15M3 ATV61HD15Y ATV61HD11Y ATV32HU75N4 ATV32HU55N4 ATV32HU22M2 ATV31CU75N4 ATV31CU55N4 ATV312HU75S6 ATV312HU75N4 ATV312HU55S6 ATV312HU55N4 ATV312HU30M3 ATV312HU22M3 ATV312HU22M2 ATV12PU22M3 ATV12HU22M3 ATV12HU22M2 ATV31CU22M2
Average power available	115 W at 40 °C 100 W at 50 °C
Ohmic value	60 Ohm

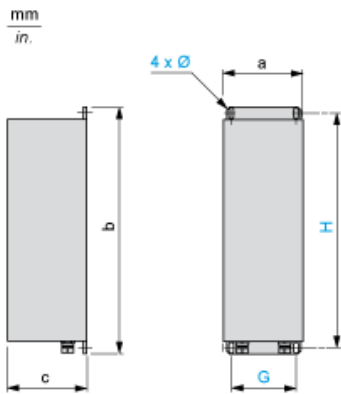
Complementary

Electrical connection	<= 4 mm ² terminal (AWG 28) for drive <= 1.5 mm ² terminal (AWG 16) for temperature control switch
Protection type	Thermal protection via drive or temperature control switch at 120 °C
Temperature controlled switch voltage	250 V AC 24 V DC
Temperature controlled switch current	0.1...1 A
Temperature controlled switch contact resistance	<= 60 µOhm
Product weight	2.4 kg

Environment

Ambient air temperature for operation	0...50 °C
Ambient air temperature for storage	-25...70 °C
IP degree of protection	IP20

Dimensions



Dimensions in mm

a	b	c	G	H	Ø
95	293	95	70	375	6 x 12

Dimensions in in.

a	b	c	G	H	Ø
3.74	11.53	3.74	2.75	14.76	0.24 X 0.47

Clearance

