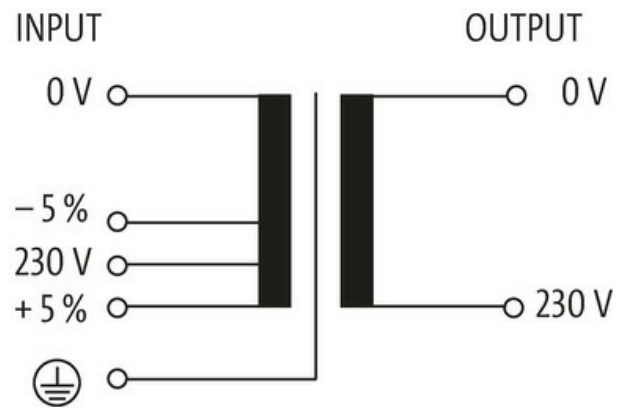


**MET 1-PHASE CONTROL AND ISOLATION TRANSFORMER**

P: 3000VA IN: 230VAC+/- 5% OUT: 230VAC

Single-phase - Control and Isolation Transformers  
 3000 VA  
 Spring clamp terminals  
 Isolation class T 40/B

[Link to Product](#)**Illustration**

Product may differ from Image

**General data**

Standards	EN 61558-1, EN 61558-2-4, EN 62041 category 0
Mounting method	Long-hole mounting
Temperature range	-20...+40 °C (storage temperature -40...+80 °C)
Test isolation voltage	4 kV (prim./sec.)
Drill hole Ø	9×14 mm
Fixing centers a×b×c	200×174×9 mm
Dimensions H×W×D	195×198×250 mm

The information in this brochure has been compiled with the utmost care.  
 Liability for the correctness completeness and topicality of the information is restricted to gross negligence. Version: 03/22

Output	
Output voltage	230 V AC
Output rating	3000 VA
Input	
Input voltage	230 V AC $\pm$ 5%
Inrush current	209.9 A (230 V AC)
Short-circuit current	623.9 A (230 V AC)
Input current	13.6 A (230 V AC)
Frequency	50...60 Hz
Commercial data	
country of origin	CZ
customs tariff number	85043200
EAN	4048879066303
eClass	27031302
Packaging unit	1.000