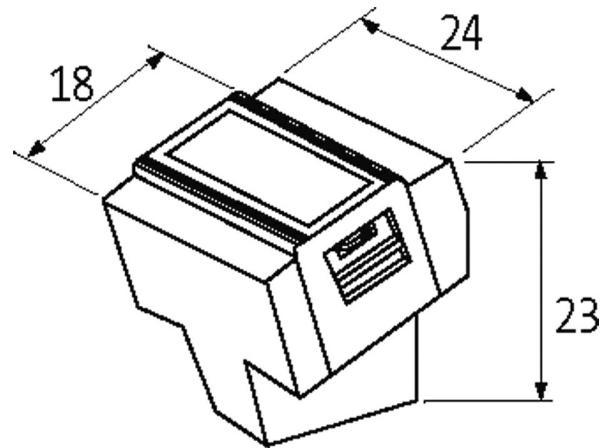


MASI20 INSTALLATION TECHNOL.

Plug terminal for AS-Interface profile cable

Plug terminal
for bus or power distributor

[Link to Product](#)**Illustration**

Product may differ from Image

**Technical Data**

Operating voltage	max. 36 V DC
Total current	max. 8 A

General data

Connection	Insulation displacement technology
Temperature range	-20...+70 °C (storage temperature -40...+80 °C)
Dimensions H×W×D	23×24×18 mm

Commercial data

country of origin	DE
customs tariff number	85369010
EAN	4048879050517
eClass	27141106
Packaging unit	1