

M23 female 90° with cable

PUR 16x0.34+3x0.75 gy drag ch. 25m

Female 90°

M23, 19-pole

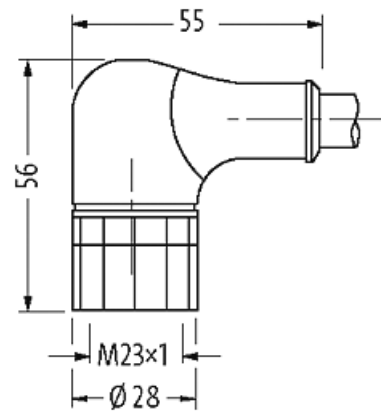
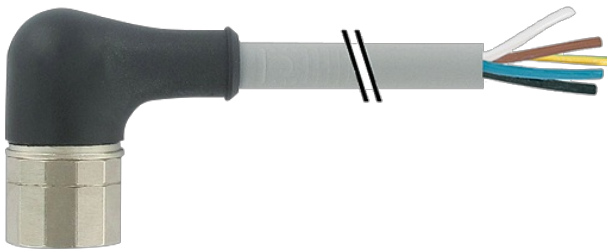
19-pole used

for 8-way distribution boxes, 5-pole

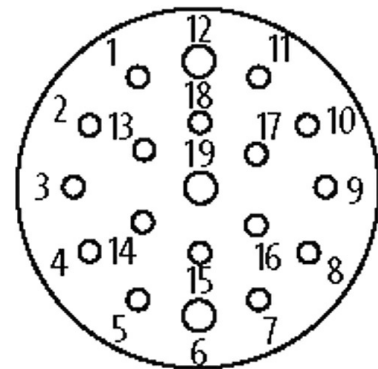
Further cable lengths on request.

Plastic housings with good resistance against chemicals and oils.

The resistance to aggressive media should be individually tested for your application. Further details on request.

Link to Product**Illustration**

15	▷	white
7	▷	gray/pink
5	▷	green
4	▷	red/blue
16	▷	yellow
8	▷	white/green
3	▷	gray
14	▷	brown/green
17	▷	pink
9	▷	white/yellow
2	▷	red
13	▷	yellow/brown
11	▷	black
10	▷	white/gray
	▷	violet
1	▷	gray/brown
18	▷	brown 0.75mm ²
19	▷	blue 0.75mm ²
6	▷	green/yellow 0.75mm ²
12	▷	

Female

Product may differ from Image

Form

Form 23351

Technical Data

Operating voltage	max. 125 V AC/DC
Rated surge voltage	2.5 kV
Operating current per contact	max. 7.5 A
Material group	IEC 60664-1, category I
Locking of ports	Screw thread (M23×1 mm) recommended torque 2.0 Nm, self-securing
Compression gland	M23 (SW27)
Protection	IP67 inserted and tightened (EN 60529)

Locking material	Brass, nickel plated
Material	PUR
suitable for corrugated tube (internal Ø)	16 mm
General data	
Pollution Degree	3
Temperature range	-5...+70 °C, depending on cable quality
Cables	
Cable number	398
No./diameter of wires	16× 0.34 + 3× 0.75 mm ²
Wire isolation	PVC
C-track properties	2 Mio.
Jacket Color	gray
Material (jacket)	PUR/PVC (UL/CSA)
Outer Ø	10.0 mm ±5%
Bend radius (moving)	10× outer Ø
Cable identification	398
Cable Type	2 (PUR/PVC)
Approval (cable)	UL (AWM-Style 21441/10955), CE conform
Cable weight [g/m]	165,0
Material (wire)	Cu wire, bare
Resistor (core)	max. 57 Ω/km (0.34 mm ²), max. 26 Ω/km (0.75 mm ²); (20 °C)
Single wire Ø (core)	0.15 mm
Construction (core)	19× 0.15 mm (0.34 mm ²); 42× 0.15 mm (0.75 mm ²); (multi-strand wire class 5/6)
Diameter (core)	16× 0.34 + 3× 0.75 mm ²
AWG	similar to AWG 22 (0.34 mm ²); similar to AWG 19 (0.75 mm ²)
Material (wire isolation)	PVC
Material property (wire isolation)	CFC-, cadmium-, silicone- and lead-free
Shore hardness (wire isolation)	43 ±5 D
Wire-Ø incl. isolation	1.3 mm ±5% (0.34 mm ²); 1.8 mm ±5% (0.75 mm ²)
Color/numbering of wires	wh, grpk, brgn, ye, whgn, gn, rdbl, vi, grbr, bk, whgr, rd, yebr, pk, whye, gr+bl, br, gnye longitudinally striped
Shield	no
Material (jacket)	PUR/PVC
Shore hardness (jacket)	87 ±5 A
Outer-Ø (jacket)	10.0 mm ±5%
Color (jacket)	gray
chemical resistance	good resistance to oil, gasoline and chemicals (EN 60811-404)
Nominal voltage	U0/U 300/300 V AC
Test voltage	2000 V AC
Current load capacity	to DIN VDE 0298-4
Temperature range (fixed)	-30...+80 °C
Temperature range (mobile)	-5...+60 °C
Bend radius (fixed)	5× outer Ø
Bend radius (moving)	10× outer Ø
No. of bending cycles (C-track)	max. 2 Mio. (25 °C)
Traversing distance (C-track)	max. 5 m (horizontal)
Travel speed (C-track)	max. 2 m/s
Acceleration (C-track)	max. 10 m/s ²
Commercial data	
country of origin	DE
customs tariff number	85444290
EAN	4048879676557
eClass	27279218
Packaging unit	1

