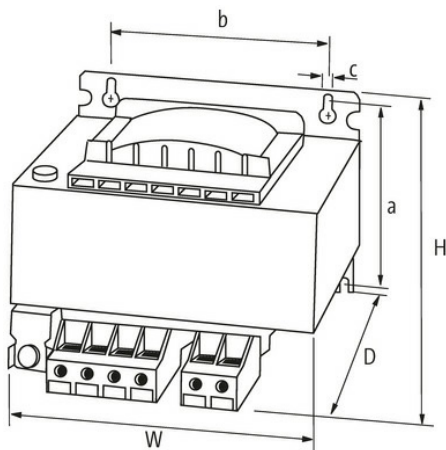
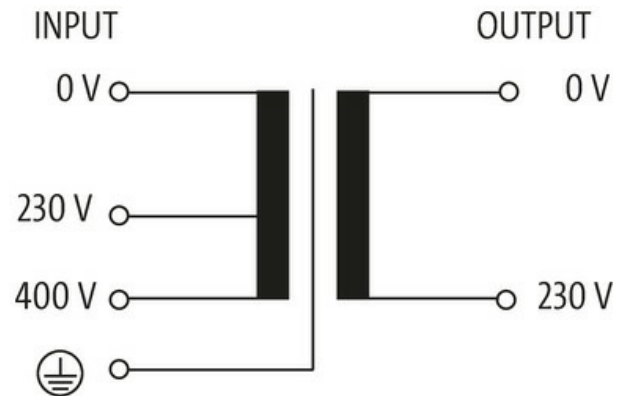


MST 1-PHASE CONTROL AND ISOLATION TRANSFORMER

P: 630VA IN: 230/400VAC OUT: 230VAC

Single-phase - Control and Isolation Transformers
 630 VA
 Spring clamp terminals
 Isolation class T 40/B
 Other voltages on request.

[Link to Product](#)**Illustration**

Product may differ from Image

**General data**

| | |
|------------------------|---|
| Standards | EN 61558-1, EN 61558-2-4, EN 62041 category 0 |
| Mounting method | Key-hole mounting |
| Temperature range | -20...+40 °C (storage temperature -40...+80 °C) |
| Test isolation voltage | 4 kV (prim./sec.) |
| Drill hole Ø | 7×11 mm |

| | |
|----------------------|--------------------|
| Fixing centers a×b×c | 90.6×122×7 mm |
| Dimensions H×W×D | 112.5×150×144.6 mm |

Output

| | |
|----------------|----------|
| Output voltage | 230 V AC |
| Output rating | 630 VA |

Input

| | |
|-----------------------|-------------------------------------|
| Input voltage | 230/400 V AC |
| Inrush current | 37 A (230 V AC); 21 A (400 V AC) |
| Short-circuit current | 77 A (230 V AC); 44 A (400 V AC) |
| Input current | 2.95 A (230 V AC); 1.7 A (400 V AC) |
| Frequency | 50...60 Hz |

Commercial data

| | |
|-----------------------|---------------|
| country of origin | CZ |
| customs tariff number | 85043180 |
| EAN | 4048879066211 |
| eClass | 27031302 |
| Packaging unit | 1.000 |