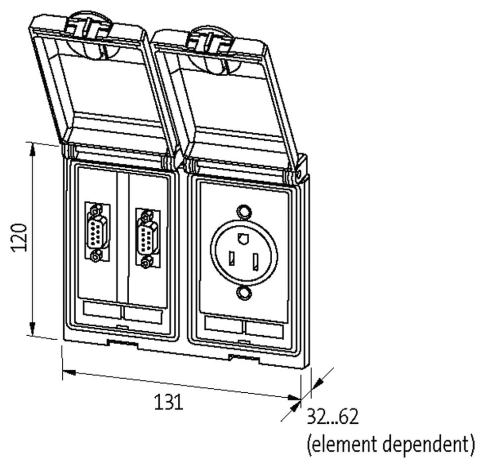


**Modlink MSDD-set: Frame 4000-68123-0000000,**  
insert 4000-68000-0020000 + 4000-68000-1540000

## Link to Product

### Illustration



Product may differ from Image

The information in this brochure has been compiled with the utmost care.  
Liability for the correctness completeness and topicality of the information is restricted to gross negligence. Version: 03/22

Murrelektronik Ltd. | 5 Albion Street, Pendlebury Industrial Estate, Swinton | Manchester M27 4FG | Fon +44 161 728 3133 | Fax +44 161 728 3130 | shop@murrelektronik.co.uk | shop.murrelektronik.co.uk

<b>Frame</b>	
suitable for mounting with wall thickness	1...5 mm
Protection	IP65
Temperature range	-10...+60 °C (storage temperature -25...+60 °C)
Housing	Zinc die-casting, with surface finishing
<b>RJ45</b>	
Operating current (UL Rating)	max. 175 mA
Locking of ports	Snap In
Connection front side	RJ45
Connection rear side	RJ45
Operating voltage (UL Rating)	max. 30 V AC/42.4 V DC
Specification	CAT5e, Class D, 100 MHz, (EN 50173-1)
<b>SUB-D9</b>	
Connection rear side	SUB-D (male)
Operating current (UL Rating)	max. 175 mA
Connection front side	SUB-D (male)
Locking of ports	UNC 4...40 bolt
Operating voltage (UL Rating)	max. 30 V AC/42.4 V DC
Operating current	3 A
No. of poles	9-pole
Operating voltage	48 V AC/DC
<b>Germany (VDE)</b>	
Connection	Screw terminals: max. 2× 6 mm <sup>2</sup> (AWG 10)
Operating voltage	250 V AC
No. of poles	2 + PE
Operating current	16 A
<b>Commercial data</b>	
country of origin	CZ
customs tariff number	85366990
EAN	4048879034791
eClass	27189217
Packaging unit	1.000