

**Drive Cliq IP20/M12 fem.recept. Y-cod. shielded RM**

PVC AWG24+22 shielded gn UL/CSA+drag ch. 1.5m

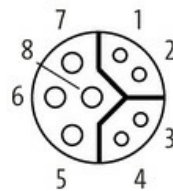
EtherNet/IP  
 Flange female straight – male straight  
 M12, 8-pole  
 DRIVE-CLiQ IP20, 10-pole  
 Y-coded  
 Rear mounting

Further cable lengths on request.

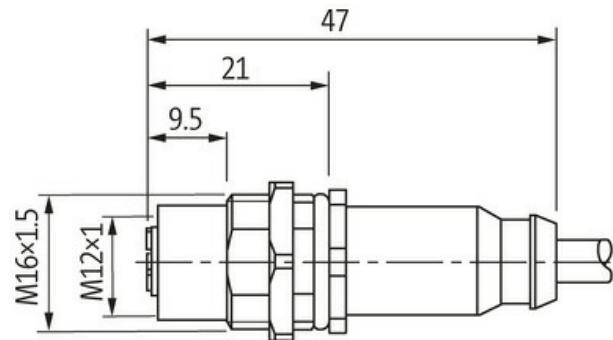
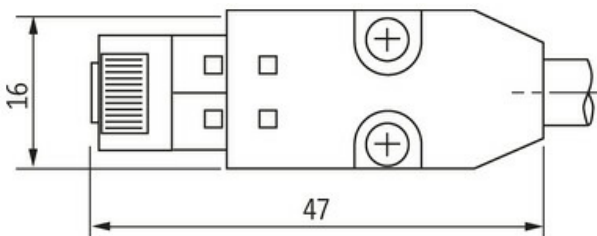
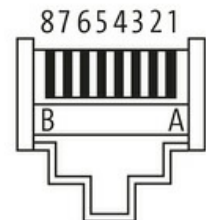
The resistance to aggressive media should be individually tested for your application. Further details on request.

**[Link to Product](#)****Illustration**

Female



Male



Product may differ from Image



**Form**

Form SS605

**Technical Data**

Operating voltage	max. 50 V AC/DC
Rated surge voltage	0.5 kV
Operating current	max. 1.76 A (PIN A, B); max. 0.5 A (M12: PIN 1...4)
Transfer parameters	CAT5, Class D (ISO/IEC 11801:2002), (EN 50173-1)
Transfer rate	up to 100 Mbit/s full duplex
Material group	IEC 60664-1, category II

Coding	M12, Y-coded
Locking of ports	DRIVE-CLiQ IP20 male straight – flange M12 female straight
Compression gland	Brass, nickel plated
Protection	IP67 (M12) - IP20 (DRIVE-CLiQ)
Protection NEMA	3, 4, 6P (UL 50E) (M12)
Locking material	Brass, nickel plated
suitable for corrugated tube (internal Ø)	10 mm

#### General data

Pollution Degree	3
Temperature range	-20...+80 °C, depending on cable quality

#### Cables

No./diameter of wires	2x 2x AWG24 + 1x 2x AWG22
Wire isolation	PE (gnye, pkbl, rdbk)
C-track properties	0.1 Mio.
Outer Ø	6.9 mm ±5%
Cable number	881
Shield	yes
Jacket Color	green
Temperature range (fixed)	-20...+70 °C
Temperature range (mobile)	-5...+70 °C
Bend radius (fixed)	5x outer Ø
Bend radius (moving)	20x outer Ø
Torsion stress	±30°/m
Material (jacket)	PVC (UL/CSA)

#### Commercial data

country of origin	DE
customs tariff number	85444290
EAN	4048879583282
eClass	27061801
Packaging unit	1.000