

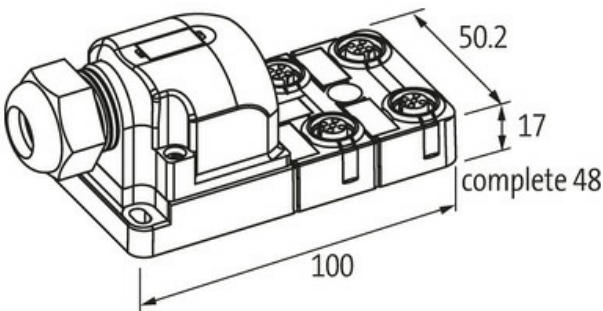
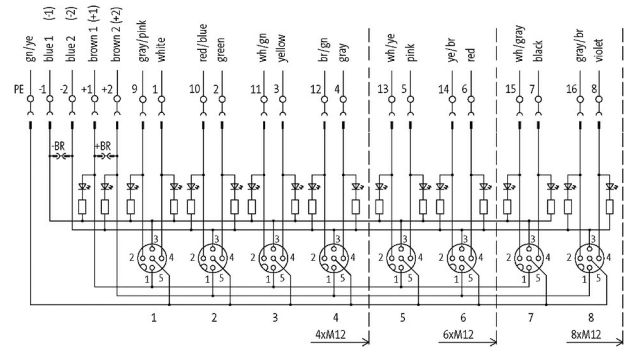
MVP12, 4XM12, 5POLE, PLUGGABLE CABLE

5.0m PUR/PVC 8x0,34+5x0,75

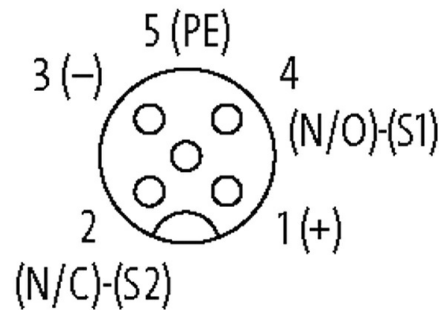
4-way, 5-pole
 PUR/PVC
 potentially separated
 with LED for digital PNP-signals 24 V DC

Link to Product

Illustration



M12 Females 5-pole



Product may differ from Image



UL
 UL

Technical Data

| | |
|-------------------------------|--|
| Operating voltage | 24 V DC ±25% |
| Operating current per contact | max. 4 A |
| Protection | IP65 and IP67 when plugged and screwed down (EN 60529) |
| Material | PBT |
| Housing | Plastic, flame retardant |
| Signal per port | 2 |
| Total current | max. 2x 8 A |

General data

| | |
|-------------------|--------------|
| Temperature range | -20...+80 °C |
|-------------------|--------------|

The information in this brochure has been compiled with the utmost care. Liability for the correctness completeness and topicality of the information is restricted to gross negligence. Version: 03/22

Dimensions H×W×D 100×50.2×17 mm

Cables

| | |
|----------------------------|-----------------------------------|
| No./diameter of wires | 8× 0.34 + 5× 0.75 mm ² |
| Wire isolation | PVC |
| C-track properties | 1.5 Mio. |
| Outer Ø | 9.2 mm ±5% |
| Cable number | 374 |
| Color (jacket) | gray |
| Jacket Color | gray |
| Temperature range (fixed) | -30...+80 °C |
| Temperature range (mobile) | -30...+80 °C |
| Bend radius (fixed) | 10× outer Ø |
| Bend radius (moving) | 12× outer Ø |
| Material (jacket) | PUR/PVC |

Contact Layout

| | |
|-------|--|
| PIN 1 | (+) |
| PIN 2 | (NC)/(S2) |
| PIN 3 | (-) |
| PIN 4 | (NO)/(S1) |
| PIN 5 | (Earth) |
| | LED (green): Power / LED (yellow): (S1/S2) |

Commercial data

| | |
|-----------------------|---------------|
| country of origin | DE |
| customs tariff number | 85369010 |
| EAN | 4048879064309 |
| eClass | 27279219 |
| Packaging unit | 1.000 |